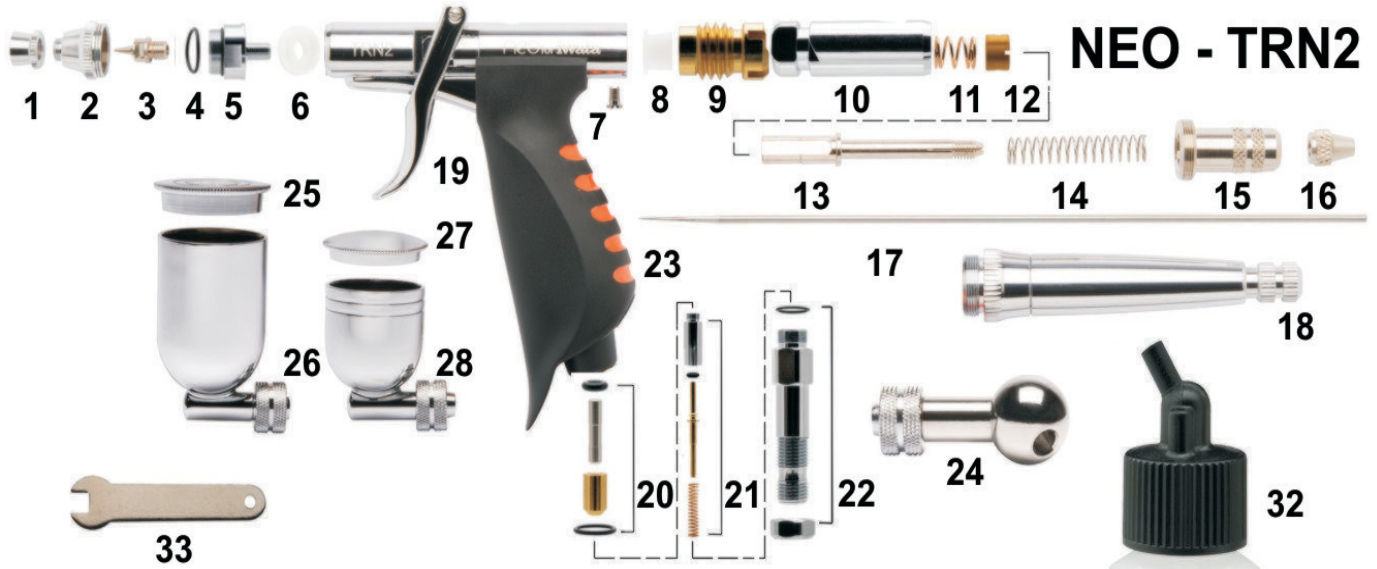




EFFORTLESS COVERAGE™

Neo for Iwata TRN2 Side Feed Dual Action Trigger Airbrush #N5000

Illustrated Parts Listing



Item#	Part No.	Description
1	N 1102	Needle Cap
2	N 1404	Nozzle Cap 0.5MM (N5)
3	N 0804	Nozzle 0.5MM (N5)
4	N 1504	Nozzle Cap O-ring
5	N 1354	Head Base
6	N 1505	Head Base Packing (PTFE)
7	N 1312	Main Body Ring Screw
8	N 1507	Needle Packing (PTFE)
9	N 1252	Needle Packing Screw
10	N 1301	Slide Cam
11	N 1302	Spring Side Cam
12	N 1311	Main Body Ring
13	N 1152	Needle Chucking Guide
14	N 1352	Needle Spring
15	N 1702	Needle Spring Guide
16	N 1202	Needle Chucking Nut
17	N 0754	Needle 0.5MM (N5)
18	N 0902	Handle Cap Set

Item#	Part No.	Description
19	N 1002	Trigger With Trigger Screw
20	N 0101	Air Piston Set
21	N 0202	Air Valve Set
22	N 1601	Grip Mount/Extension
23	N 1602	Grip
24	N 0401	Bottle Adapter
25	N 0952	Side Cup Lid 0.50 oz/15 ml
26	N 0706	Side Cup 0.50 oz/15 ml
27	N 0953	Side Cup Lid 0.24 oz/7 ml
28	N 0705	Side Cup 0.24 oz/7 ml
33	N1652	Spanner

Optional

To change from 0.5 mm to 0.35 mm, change the below 3 parts for optimum performance

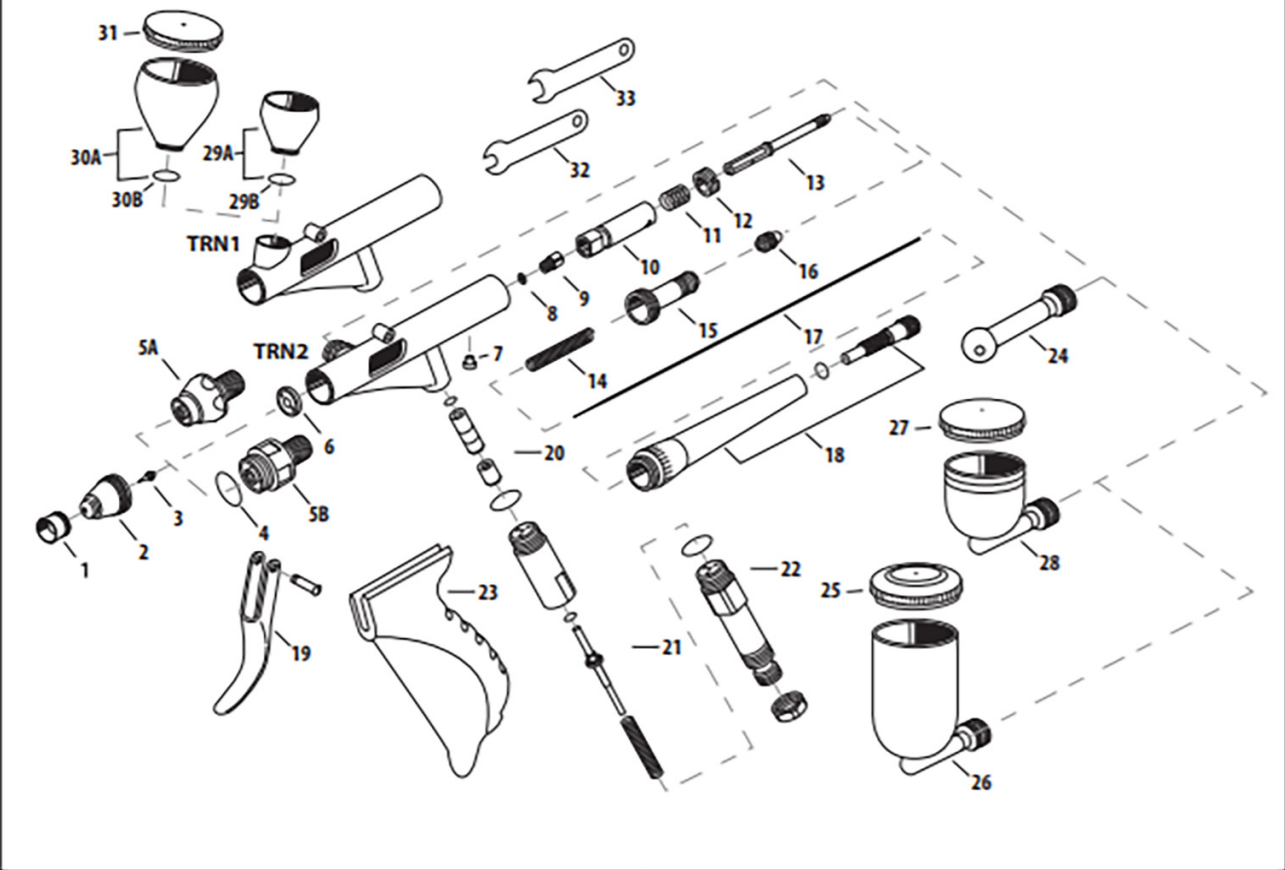
2	N 1403	Nozzle Cap 0.35mm (N3)
3	N 0803	Nozzle 0.35mm (N3)
17	N 0753	Needle 0.35mm (N3)

See next Page for schematic

Available from:

Dixie Art Airbrush www.dixieart.com • 800.783-2612

NEO FOR IWATA — TRN1, TRN2



#	ITEM DESCRIPTION	PRICE CODE	ITEM #	TRN2 N 5000	TRN1 N 5500	ALSO FITS
1	Needle Cap	A	N 110 2	■	■	
2	Nozzle Cap					
	N3	A	N 140 3	opt	■	
	N5	A	N 140 4	■	opt	
3	Nozzle					
	N3	C	N 080 3	opt	■	
	N5	C	N 080 4	■	opt	
4	Nozzle Cap O-ring	A	N 150 4	■	x	
5A	Head Base	A	N 135 3	x	■	
5B	Head Base	A	N 135 4	■	x	
6	Head Base Packing (PTFE)	A	N 150 5	■	■	
7	Main Body Ring Screw	A	N 131 2	■	■	
8	Needle Packing (PTFE)	A	N 150 7	■	■	
9	Needle Packing Screw	A	N 125 2	■	■	
10	Slide Cam	A	N 130 1	■	■	
11	Spring Side Cam	A	N 130 2	■	■	
12	Main Body Ring	A	N 131 1	■	■	
13	Needle Chucking Guide	A	N 115 2	■	■	
14	Needle Spring	A	N 135 2	■	■	
15	Spring Guide	A	N 170 2	■	■	
16	Needle Chucking Nut	A	N 120 2	■	■	

#	ITEM DESCRIPTION	PRICE CODE	ITEM #	TRN2 N 5000	TRN1 N 5500	ALSO FITS
17	Needle					
	N3	A	N 075 3	opt	■	
	N5	A	N 075 4	■	opt	
18	Handle Cap Set					
		D	N 090 2	■	■	
19	Trigger With Trigger Screw	A	N 100 2	■	■	
20	Air Piston Set	A	N 010 1	■	■	
21	Air Valve Set	C	N 020 2	■	■	
22	Grip Mount/Extension	D	N 160 1	■	■	
23	Grip	B	N 160 2	■	■	
24	Bottle Adapter	C	N 040 1	■	x	
25	Side Cup Lid	A	N 095 2	■	x	
26	Side Cup	A	N 070 6	■	x	
27	Side Cup Lid	A	N 095 3	■	x	
28	Side Cup	D	N 070 5	■	x	
29A	Fluid Gravity Cup w/O-ring	C	N 070 1	x	■	NEO CN
29B	O-ring For Fluid Gravity Cup	A	N 071 2	x	■	NEO CN
30A	Fluid Gravity Cup w/O-ring	D	N 070 2	x	■	NEO CN
30B	O-ring For Fluid Gravity Cup	A	N 071 3	x	■	NEO CN
31	Fluid Gravity Cup Lid	A	N 095 4	x	■	NEO CN
32	Spanner	A	N 165 1	x	■	NEO CN/ NEO BCN
33	Spanner	A	N 165 2	■	x	

■ = yes X = no opt = optional

Available from:

Dixie Art Airbrush www.dixieart.com • 800.783-2612