

iwata *studio series*
SMART JET PRO IS-875
AIR COMPRESSOR



IWATA STUDIO SERIES SMART JET PRO AIR COMPRESSOR — IS-875

The Iwata Smart Jet Pro Air Compressor delivers quiet, clean, pulse-free air along with superb moisture separation and precise air pressure adjustment.

NEED ASSISTANCE

**If you have any issues with this product,
call ANEST IWATA-MEDEA (U.S.A.) 503-253-7308 (M-F 8am-4pm Pacific Time)
or your local ANEST IWATA affiliate before returning to your place of purchase.**

ANEST IWATA-MEDEA, INC.

Portland, Oregon U.S.A.
+1-503-253-7308
www.lwata-medea.com

ANEST IWATA CORPORATION

Yokohama, Japan
+81-(0)45-591-1111
www.anest-iwata.co.jp

ANEST IWATA AUSTRALIA PTY LTD.

Mt. Druitt, NSW
+61-(02)-9853-2000
www.anest-iwata.com.au

ANEST IWATA SOUTH-EAST ASIA CO., LTD.

Bangkok, Thailand
+66-(0)-2643-2870
www.anest-iwatasoutheastasia.com

ANEST IWATA EUROPE S.R.L.

Torino, Italy
+39-01-1248-0868
www.anest-iwataeu.com

ANEST IWATA (U.K.) LTD.

Neots Cambs, England
+44-(0)1480-474742
www.anest-iwata.co.jp

ANEST IWATA DO BRASIL COMERCIAL LTDA.

Bairro do Paraiso, Sao Paulo
+55-11-3171-0072
www.anest-iwata.net.br

ANEST IWATA SHANGHAI

Shanghai, China
+86-(0)21-6407-9713 / 15 / 16
www.anest-iwata-sh.com/ja

ANEST IWATA MOTHERSON LTD.

Uttar Pradesh, India
+91-(0)120-4600500 / 14 / 17
www.motherson.com

ANEST IWATA SOUTH AFRICA (PTY) LTD.

Johannesburg, Republic of South Africa
+27-11-463-2169/2265/2223

ANEST IWATA RUS LLC

Moscow, Russia
+7-495-938-77-28
www.anestiwata.ru

CENTURY TRADING CO., LTD.

Seoul, Korea
82-2-2163-0300
www.centradng.co.kr

Oil-Less Piston Compressor

Oil-less means oil-less! The compressor uses PTFE gaskets to seal the compression chamber. This allows the compressor to be quiet without atomizing oil into the air stream, which makes the compressor virtually maintenance free.

Adjustable Pressure Regulator

The adjustable pressure regulator allows for control of the air pressure.

Moisture Filter

The moisture filter filters out water and debris down to 5 microns.

Air Pressure Gauge

Don't guess what pressure you're spraying at — know it! Your "working pressure" (or "working psi") is what the gauge shows while you have your trigger pressed down.

Airbrush Holder

Keep your airbrush upright especially when it's full of paint and you need to set it down for a moment – otherwise, paint can flow into areas inside the brush where it shouldn't.

Straight Shot Airhose

Made of polyurethane, which is 1/3 the weight of other airhoses.

On/Off Switch

You don't have to unplug the compressor when you want it to stop, just flip the switch.

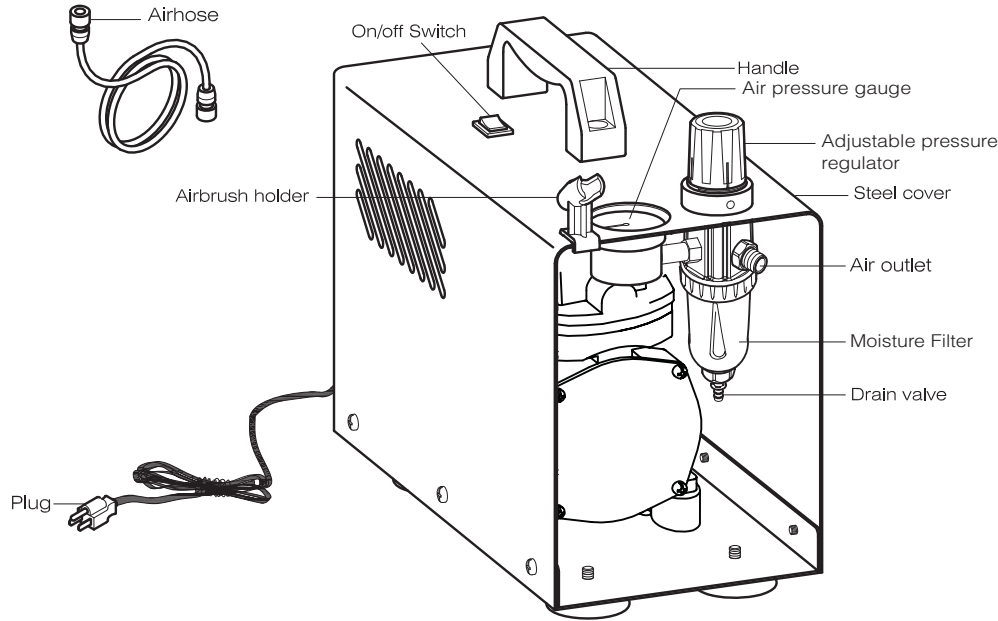
Auto Shut-Off / Smart Jet Technology

This is the "smart" part of the Smart Jet Pro. It turns the compressor off when you're not spraying and turns it on when you start to spray.

Thermal Overload Switch

If the compressor ever decides to overheat, the thermal overload switch will turn off your compressor. If this switch cuts in it's saving your compressor. Let it cool down. The switch will automatically reset itself.

ASSEMBLY INSTRUCTIONS



Unpack the compressor and all packaged components.

Enclosed you'll find:

Smart Jet Pro Compressor (#IS 875)

Straight Shot Airhose (#DT I 10)

3 Airhose Adapters (for use with Badger, Aztec and Paasche airbrushes)

Extra airbrush holder with screw

Smart Jet Pro Manual

VOLTAGE CAUTION - READ CAREFULLY

If you bought the compressor in the country you're going to use it, it's completely ready- to-go. If you're going to transfer the compressor to another country with a different voltage, you'll need a plug adapter and the appropriate power converter. These items typically are found at hardware stores or electronic stores. Using compressors with the wrong voltage adapters and converters can damage the compressor or result in an electrical fire.

GETTING STARTED

1. Screw the large fitting of the straight shot airhose onto the threaded air outlet on the moisture filter. Use a wrench to tighten the airhose fitting onto the moisture filter.
2. Screw the other end of the airhose onto your Iwata airbrush and hand tighten to create a leakproof seal. **NOTE: If not using an Iwata airbrush, screw on the appropriate airhose adaptor for the brand of airbrush being used. (Badger, Aztec and Paasche adaptors included.)**
3. The airbrush should fit into the black airbrush holder by placing the front end of the airbrush into the holder. If using a bottle-feed airbrush with the bottle attached, put the back end of the airbrush into the holder.
7. Plug the compressor into a grounded wall outlet. (Avoid using an extension cord.)
8. Turn the compressor ON by pressing down the switch on top of the unit. The unit will run for a couple seconds then stop. This is OK! When you push down the trigger on your airbrush, the compressor will come on and when you release the trigger the unit will stop. This is the Auto Shut-Off feature effect. This feature will prolong the life of your motor since the unit doesn't run the whole time it's turned on.
9. As the unit is being used, water may collect in the moisture filter bowl. Release the moisture by following the maintenance instructions on page 8.

CAUTIONS:

1. **Always work in a well-ventilated area and away from wet surfaces.**
2. **The air compressor will become very hot during prolonged use. Avoid running continuously without a break for more than 1 hour at a time. Use caution when handling the compressor at this time.**
3. **The motor is thermally protected and automatically shuts off the compressor when it becomes overheated. If this occurs turn the compressor off and wait to restart until after it cools.**
4. **DO NOT place the air compressor between you and your work area or directly under an area being sprayed. This could allow for over spray from the airbrush to flow into the air intake of the compressor and damage the unit.**

REGULATING THE PRESSURE

1. When you first hook up your airbrush to your compressor and depress the trigger of your airbrush, the pressure that registers on your gauge is called your “working pressure.” Your working pressure can vary depending on the size of your airbrush’s nozzle. The smaller the nozzle size, the higher your working pressure. An average nozzle size of 0.3 mm will expend a working pressure of approximately 25-28 psi with the Smart Jet Pro. **NOTE: When working at very low air pressures (below 10–12 psi), the motor will intermittently turn on and off as needed to maintain constant air pressure while in use. This is a normal part of the motor function.**
2. To adjust the regulator knob, pull up on the knob to unlock it. Then turn the knob counter-clockwise (when looking from the top) to decrease the air pressure or turn the knob clockwise to increase the pressure.



Turn counter-clockwise to decrease air pressure



Turn clockwise to increase air pressure

3. Once the air pressure is adjusted, push down on the regulator knob to lock it in place.
4. Activate the airflow by pressing down on the trigger of the airbrush. Once activated, the compressor will turn itself on. It will continue to run for as long as the airbrush is being used and then will automatically shut-off when the airbrush is not being used.

STORING YOUR COMPRESSOR

To properly store your compressor, turn the compressor off and unplug. Even though the unit is equipped with an automatic shut-off, the power switch should be turned off when not in use. Release any left-over air by pressing down on your airbrush trigger (being careful of any excess paint) or by unscrewing your airbrush from the airhose.



Draining the Moisture Filter

1. After prolonged use of the compressor, water condensation will accumulate inside the moisture filter.
2. To drain the moisture filter, make sure the unit is turned on.
3. With a paper towel or rag, push up on the relief valve under the moisture filter bowl. Moisture will expel from filter bowl until empty.

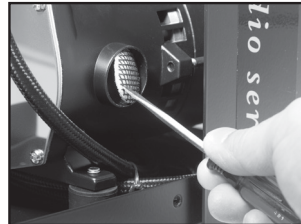
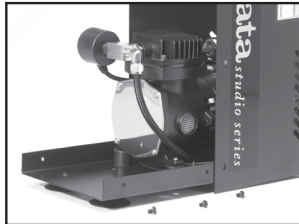
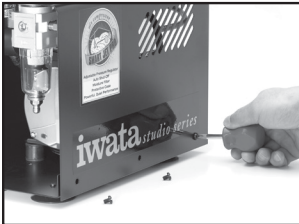
WARNING: Since the filter bowl is pressurized when the unit is turned ON, any liquid inside the filter bowl will be rapidly expelled. Be sure to place the unit on a surface that will not be damaged if some water spills onto the surface.

Replacing the Air Intake Filter

Periodically clean or replace the air-intake filter. Remove built-up lint or other debris from the filter to avoid low air flow or the compressor from over heating.

To clean or replace the intake filter, follow these steps:

1. UNPLUG the unit from the wall outlet.
2. The case needs to be removed to access the filter. To remove the case, unscrew the 3 screws on the bottom of each side of the case (3 screws on each side, 6 screws total)
3. Lift the front of the cover and rotate it back so it sits on the back side of the cover.
4. Remove the wire mesh covering over the air intake filter by taking the edged of a screwdriver and lifting it out. Clean the filter material or replace it if damaged. Place the clean filter back into the opening and replace the wire mesh by pushing it over the filter.
5. Replace the cover over the unit and fasten it with the six (6) screws.



The power switch is turned ON, but the unit is not running.

1. The automatic shut-off turned the unit off. Press down on the airbrush trigger to release air and the unit will turn on.
2. Check that the unit is plugged into a working electrical wall outlet.
3. Wires may have come off the bottom of the switch. Call Anest Iwata-Medea Technical assistance.

The power switch is turned on and the unit runs, but no air is flowing.

1. There is an air leak in the airhose fittings or in the compressor system.
2. The air intake filter is clogged.
3. The regulator needs to be adjusted to increase the air pressure.

For any other problems or issues call or contact ANEST IWATA-MEDEA at 503-253-7308 or email at: info@iwata-medea.com

WARRANTY

All Iwata compressors are *Warranted* against all manufacturing defects of material and manufacture or workmanship for a period of ONE year from the date of purchase*. Any part or material that is or becomes defective so as not to be usable within this period will be repaired or replaced. This warranty does not cover damage caused by negligence or a compressor that has been altered or abused in any way.

Call or email Anest Iwata-Medea before returning a compressor for the appropriate procedure for warranty repairs. Any material that is shipped to Anest Iwata-Medea without prior authorization will not be accepted.

- Telephone Technical Support: Anest Iwata-Medea offers technical support over the phone at no charge. Telephone support includes general usage information, cleaning tips, and troubleshooting.
- For Tech Support please call us at 503-253-7308 Pacific Time, 9am – 12pm & 1pm – 4pm, Monday – Friday
- NOTE: All compressors returned for repair must have a Return Authorization Number. Please call 503-253-7308 to obtain an RA number, instructions, and our shipping address.

Warranty service will be provided only at authorized Anest Iwata-Medea service centers. You must pay all charges for shipping/transporting your Iwata Studio Series Compressor to/from these service facilities.

Anest Iwata-Medea, Inc. will not be responsible for damage to persons or property, commercial loss or any other incidental or consequential damage caused by a defective compressor. However, some states do not allow the exclusion or limitation of incidental or consequential damages, so the above limitations may not apply to you.

All implied warranties, including any warranty of merchantability or fitness are limited to the duration of this written warranty. However, some states do not allow limitations on how long an implied warranty lasts, so the above limitation may not apply to you.

** Please keep the sales receipt.*

Genuine Iwata

iwata
by ANEST IWATA

WWW.IWATA-AIRBRUSH.COM