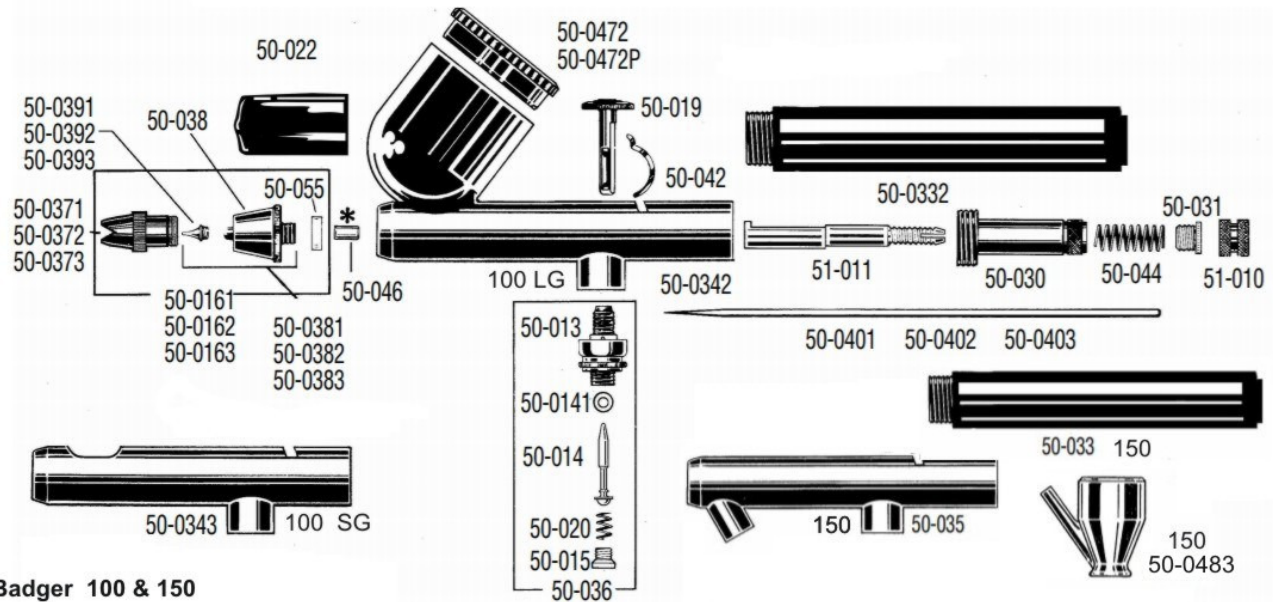


Model 100 LG Gravity Feed Airbrush Parts
 Model 100 SG Gravity Feed Airbrush Parts
 Model 150 Syphon Feed Airbrush Parts



Badger 100 & 150

Item Number	Description	Item Number	Description
50-013	Valve Casing	50-0372	Medium Regulator
50-014	Plunger & "O" Ring	50-0373	Large Regulator
50-0141	"O" Ring	50-038	Head
50-015	Valve Screw	50-0381	Fine Head & Tip
50-0161	F Head Assembly Complete (50-0371-3081-50-055)	50-0382	Medium Head & Tip
50-0162	M Head Assembly Complete (50-0372-0382-50-055)	50-0383	Large Head & Tip
50-0163	L Head Assembly Complete (50-0373-0383-50-055)	50-0391	Fine Tip (0.3 mm)
50-019	Trigger	50-0392	Medium Tip (.04 mm)
50-020	Plunger Spring	50-0393	Large Tip (.05 mm)
50-022	Protective Cap	50-0401	Fine Needle (1 Ring)
50-030	Tube Shank	50-0402	Medium Needle (2 Rings)
50-031	Spring Screw	50-0403	Large Needle (3 Rings)
50-033	Handle Model 150	50-042	Back Lever
50-0332	Counter Balance Handle (Brass)	50-044	Needle Tube Spring
50-0342	Shell (100LG) w/ Needle Bearing *	50-046	PTFE Needle Bearing *
50-0343	Shell (100SG) w/ Needle Bearing *	50-0472	100LG Color Cup (Metal)
50-035	Shell (150) w/ Needle Bearing *	50-0472P	100LG Color Cup (Plastic)
50-036	Valve Assembly Complete	50-0483	1/4 oz Color Cup
50-0371	Fine Regulator	50-055	PTFE Head Washer
		51-010	Needle Chuck
		51-011	Needle Tube

* 50-046 The PTFE Needle Bearing Carries a Lifetime Warranty and Free Replacement at the Factory only

Available From:
 Dixie Art Airbrush • www.dixieart.com • 800-783-2612 or 504-836-0069