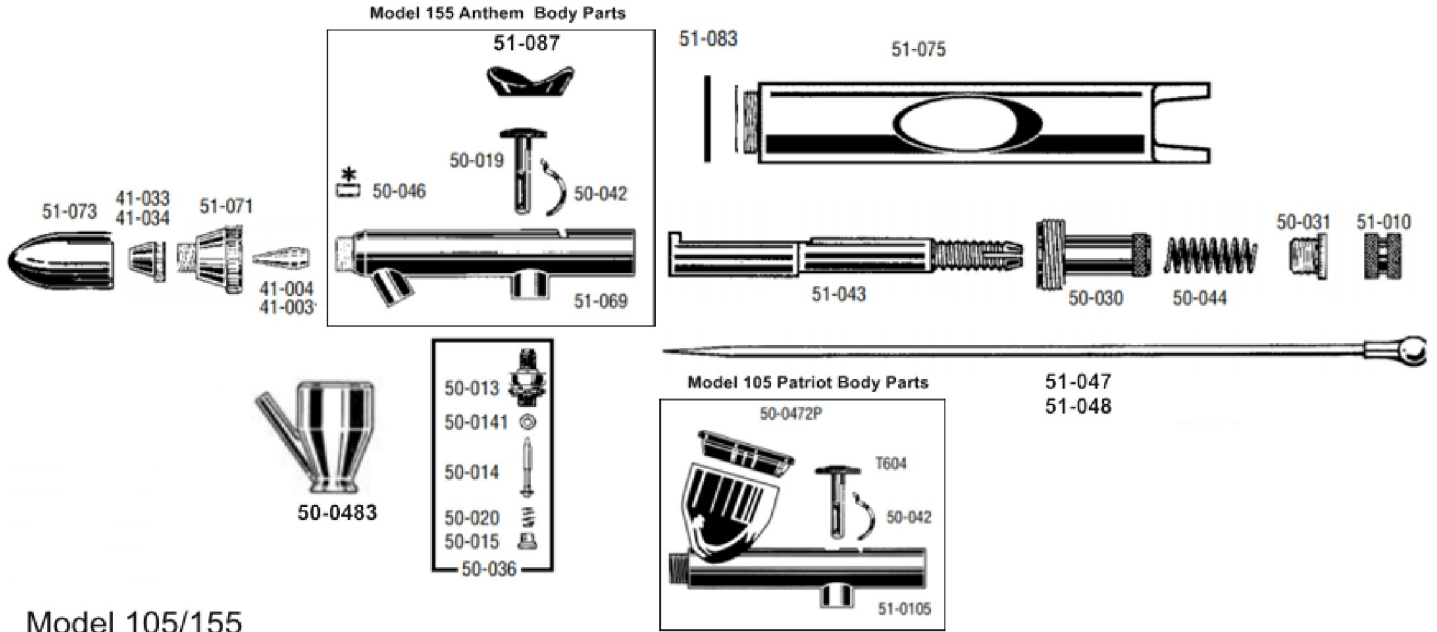


Model 105 Patriot Airbrush Parts Model 155 Anthem Airbrush Parts



Model 105/155

Item Number Description

41-003	Detail Tip (0.5mm)
41-004	General Purpose Tip (0.7mm)
41-033	Detail Spray Regulator
41-034	General Purpose Regulator
50-013	Valve Casing
50-014	Plunger w/O-Ring
50-0141	Valve O-Ring
50-015	Valve Screw
50-019	Trigger, Model 155
50-020	Plunger Spring
50-030	Tube Shank
50-031	Spring Screw
50-036	Complete Valve Assemble
50-042	Back Lever
50-044	Needle Tube Spring
50-046	PTFE Needle Bearing *

Item Number Description

50-0472	Color Cup Cap (Metal)
50-0472P	Color Cup Cap (Plastic)
50-0483	Color Cup, Model 155
51-010	Needle Chuck
51-0105	105 Shell with Needle bearing *
51-043	Needle Tube
51-047	Detail Needle
51-048	General Purpose Needle
51-069	155 Shell with Needle bearing *
51-071	Head
51-073	Protective Cap
51-075	Counter-Balance Handle
51-083	O-Ring for Handle
51-087	Trigger Pad Black
T604	Trigger, Model 105

* 50-046 The PTFE Needle Bearing Carries a Lifetime Warranty and Free Replacement at the Factory only

Available From:

Dixie Art Airbrush • www.dixieart.com • 800-783-2612 or 504-836-0069