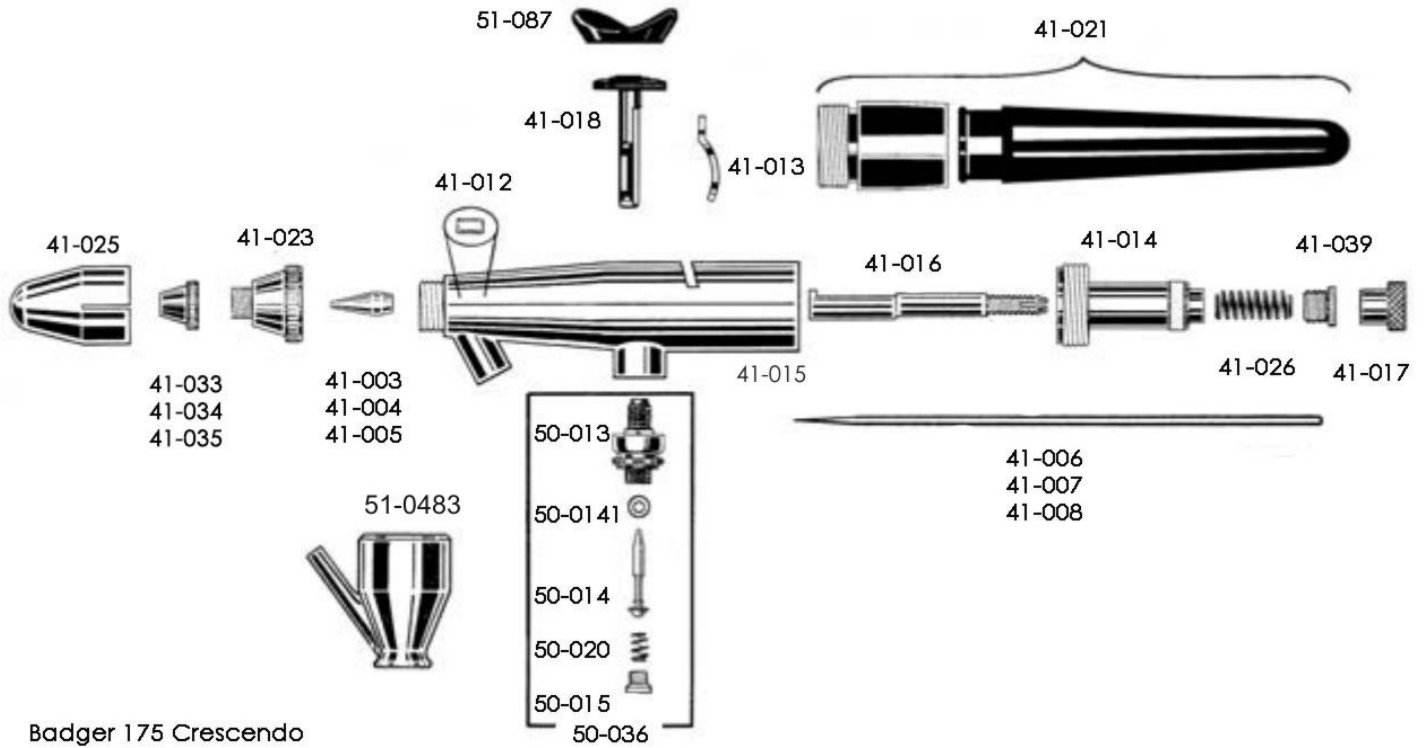


Model 175 Crescendo Airbrush Parts



Badger 175 Crescendo

Item #	Description	Item #	Description
41-003	Fine Tip	41-025	Protective Cap
41-004	Medium Tip	41-026	Spring needle tube
41-005	Large Tip	41-033	Fine Spray Regulator
41-006	Fine Needle	41-034	Medium Spray Regulator
41-007	Medium Needle	41-035	Large Spray Regulator
41-008	Large Needle	41-039	Spring screw
41-012	PTFE Needle Bearing *	50-013	Valve Casing
41-013	Back Lever	50-014	Plunger w/O-Ring
41-014	Tube Shank	50-015	Valve Screw
41-015	175 Shell with Needle bearing *	50-0141	O-Ring Plunger
41-016	Needle Tube	50-020	Valve Spring
41-017	Needle Chuck	50-036	Valve Assembly Complete
41-018	Trigger Straight	50-0483	1/4 oz. Color Cup
41-021	Handle with quick Disconnect	51-087	Trigger Pad
41-023	Head		

* 50-046 The PTFE Needle Bearing Carries a Lifetime Warranty and Free Replacement at the Factory only

Available From:
Dixie Art Airbrush • www.dixieart.com • 800-783-2612 or 504-836-0069