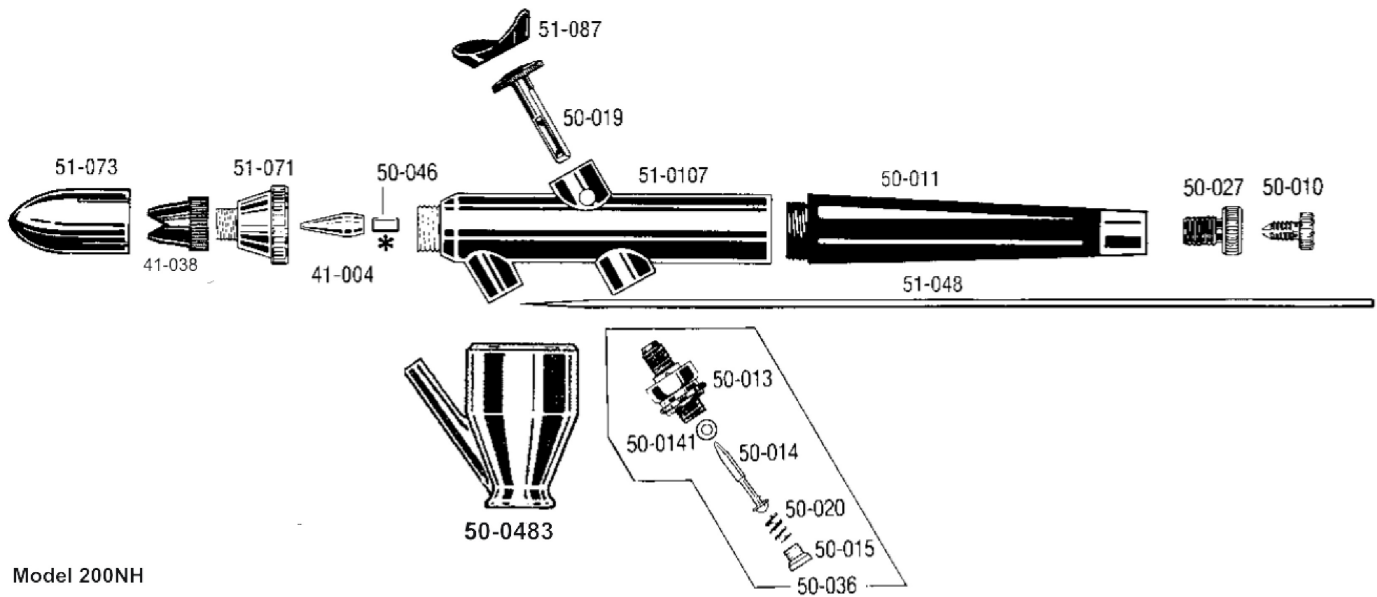


## Model 200 Bottom Feed Airbrush Parts



Model 200NH

Item #	Description	Item #	Description
41-004	Tip Medium	50-027	Needle Adjusting Screw
41-038	Guarded Spray Regulator Med	50-036	Valve Assembly
50-010	Needle Chuck	50-046	PTFE Needle bearing *
50-011	Handle	50-0483	1/4 oz. Color Cup
50-013	Valve Casing	51-0107	200 Shell with needle bearing *
50-014	Plunger & O-Ring	51-048	Needle Medium
50-0141	Valve O-Ring	51-071	Head Medium
50-015	Valve Screw	51-073	Protective Cap
50-019	Trigger, Model 200	51-087	Trigger Pad
50-020	Plunger Spring		

\* 50-046 The PTFE Needle Bearing Carries a Lifetime Warranty and Free Replacement at the Factory only

Available From:

Dixie Art Airbrush • [www.dixieart.com](http://www.dixieart.com) • 800-783-2612 or 504-836-0069