



BADGER AIRBRUSH CO.

RENEGADE SERIES

R1V-Velocity

- GRAVITY FEED
- DUAL ACTION
- INTERNAL MIX
- HAIR LINE - 1"
- .21 MM PAINT TIP
- 6° LINEAR AIRFLOW ANGLE



R2S-Spirit

- side feed-cup or jar
- DUAL ACTION
- INTERNAL MIX
- HAIR LINE - 1"
- .21 MM PAINT TIP
- 6° LINEAR AIRFLOW ANGLE



R3R-RAGE

- BOTTOM FEED
- DUAL ACTION
- INTERNAL MIX
- TECHNICAL PENCIL LINE - 1"
- .33 MM PAINT TIP
- 6.5° LINEAR AIRFLOW ANGLE



Congratulations on your purchase of Badger's New Renegade Series Airbrush.

Badger Air-Brush Co.'s new American made Renegade Airbrush Series is developed and designed for the very specific and intricate needs of custom graphic artists who have chosen the automobile or other hard surfaces as their creation canvas. The Renegade Series features three different airbrushes (gravity feed, side feed, siphon feed) to satisfy the usage preference of all automobile graphic artists - regardless of their airbrush style. These incredibly innovative airbrushes feature new "tensionsense" trigger action, "stopset" trigger setting system, exact taper micro-precise paint tips, "pointperfect" carbide polished needles, "smartcenter" nozzle assemblies, the most precise paint tips and linear air flow needle angles - and many other features never before available on a Badger or any other airbrush.

MAINTENANCE AND TROUBLESHOOTING

Your RENEGADE airbrush is designed to provide years of trouble-free airbrushing (with regular attention to simple maintenance).

CAUTION: The RENEGADE needle and paint tip are very delicate. A slight bend of the needle tip, or a split paint tip, can adversely affect the spray pattern. Most often, needle tip damage occurs when the needle passes through the trigger mechanism and the PTFE seal while installing a needle.

If the needle stops abruptly, retract the needle and check the trigger for proper assembly, then re-insert the needle. We suggest you develop the habit of retracting, rotating, and reseating the needle before beginning each session. This will ensure even needle and paint tip wear and extend part life.

If you ever experience spray pattern pulsation, the hold down ring is either loose or the tip is not properly seated or cleaned of build-up on its tapered sides. The only other reason you may experience pulsation is if the needle bearing wears down or falls out.

*This bearing has a lifetime warranty. If this occurs, send the airbrush to Badger for a no-charge replacement. (Rage only) *

WARRANTY

Your RENEGADE airbrush is warranted against all manufacturing defects of material and workmanship for the life of the airbrush. Your RENEGADE carries a lifetime warranty on labor, though parts will be extra after the first year. Negligence, accidents, or airbrushes that have been altered, will void this warranty. (see reverse for additional warranty related note)

Your RENEGADE airbrush will provide years of trouble-free, enjoyable airbrushing... You have my word on it.

Ken Schlotfeldt, President
BADGER AIR-BRUSH CO.



REPLACE PAINT SEAL O-RING

The Renegade Velocity and Spirit airbrush utilize a new PTFE solvent resistant needle seal paint assembly. In the rare occurrence it becomes necessary to replace the paint seal (R-0022) perform the following steps

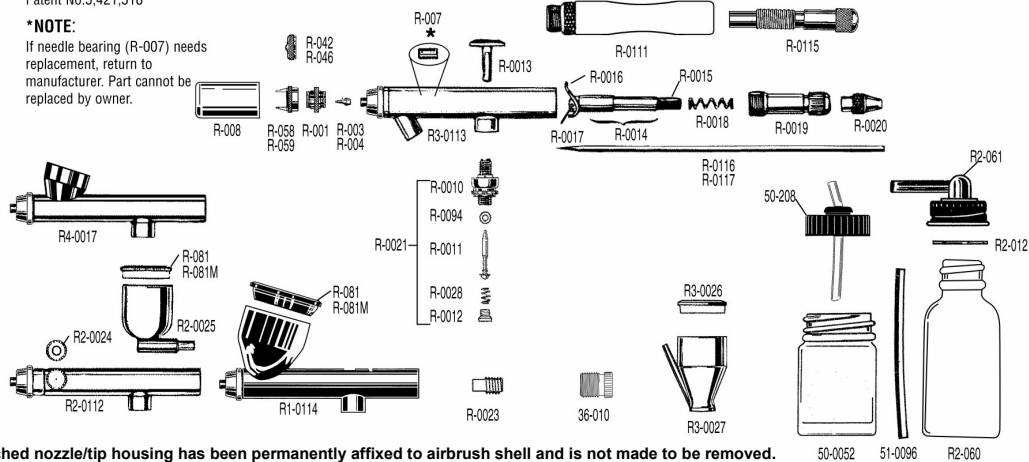
1. Remove all parts from the airbrush, so as to just have the airbrush body and "o"-ring paint seal system in tact (part R2-0112 or R1-0114 and parts R-0022 and R-0023).
2. After disassembling the airbrush remove the paint seal screw (R-0023) from the back/handle end of the airbrush body using a long thin flat head screw driver. Once the paint seal screw is properly loosened it may be dropped out of the back/handle end of the airbrush.
3. After removing the paint seal screw insert the airbrush needle back into the airbrush from the back/handle end all the way through the paint seal "o"-ring (R-0022) then take it back out again, the paint seal "o"-ring assembly should be on the needle when removed. Take the old paint seal "o"-ring off of the needle (over the needle's back/blunt end) and discard it. (If the paint seal "o"-ring is not on the needle, it may also drop out of the back/handle end of the airbrush body if lightly tapped on a cloth covered hard surface.)
4. Place the new one piece paint seal screw onto the needle (over the needle's back/blunt end) and, while holding the airbrush body vertically with the nozzle end down/handle end up, insert the needle back into the airbrush from the back/handle end, this time pulling the needle all the way through the airbrush body and out the front/nozzle end.
5. Use the screw driver to slowly turn the paint seal screw into the airbrush body until it feels lightly snug. To ensure you have not over tightened the paint seal screw slide airbrush needle through paint seal to see if there is a slight interference fit to needle, if not remove needle and turn 1/12 turn then retest. If needle is too tight, loosen screw 1/12 turn unless slight interference is present.
6. Re-assemble your airbrush and spray happily ever after.

RENEGADE™ SERIES

Patent No.5,421,518

*NOTE:

If needle bearing (R-007) needs replacement, return to manufacturer. Part cannot be replaced by owner.



NOTE: Attached nozzle/tip housing has been permanently affixed to airbrush shell and is not made to be removed.

DO NOT EVEN ATTEMPT TO REMOVE THE NOZZLE/TIP HOUSING FROM THE AIRBRUSH BODY AS AIRBRUSH WILL BE UNREPAIRABLE AND ALL WARRANTIES WILL BE VOIDED IF THIS CONNECTION INDICATES DAMAGE.

Part#	Description	Part#	Description	Part#	Description
R-001	Hold Down Ring	R-0015	Needle Tube	R3-0113	Rage Shell w/Needle Bearing
R-003	Ultra Fine Tip (Velocity, VJ, Spirit, Krome)	R-0016	Rocker Lever	R1-0114	Velocity Shell
R-004	Fine Tip (Rage)	R-0017	Rocker Lever Pin	R-0115	Rear Adjusting Screw
R-007	PTFE Needle Bearing (See Note Above)*	R-0018	Spring	R-0116	Ultra Fine Needle (Velocity, Velocity Jet, Spirit & Krome)
R-008	Protective Cap	R-0019	Tube Shank	R-0117	Fine Needle (Rage)
R-042	Ultra Fine Spray Reg	R-0020	Needle Chuck	R4-0017	Velocity Jet Shell
R-046	Fine Spray Regulator	R-0021	Complete Assembled Valve	R-060	Ultra Fine Conversion (Spray Reg. w/Prong Tip & Needle)
R-058	Ultra Fine Spray Regulator	R-0023	Screw (Needle Seal Adjuster w/Seal)	R-061	Fine Conversion (Spray Reg. w/Prong Tip & Needle)
R-059	Fine Spray Regulator w/Protective Arm (Velocity, VJ, Spirit, Krome)	R2-0024	Closer Plug	Accessories	
R-081	Color Cup Cap	R2-0025	Side Feed Color Cup	R2-060	20mm 1oz. Glass Jar
R-081M	Color Cup Cap (Metal)	R3-0026	Cap for 1/4oz. Color Cup	R2-061	20mm Jar Adaptor for Spirit
R-010	Valve Casing	R3-0027	1/4oz. Color Cup	R2-012	Gasket for 20mm Jar Adaptor (3 per pkg.)
R-0011	Valve Plunger & "O" Ring	R-0028	Valve Spring	51-0096	4oz. Siphon Tube
R-0012	Valve Screw	R-0094	Valve "O" Ring	36-010	Badger Airbrush- Iwata Hose Adaptor
R-0013	Trigger	R-0111	Renegade Handle	50-0052	3/4oz. Jar
R-0014	Needle Tube and Rocker Assembly	R2-0112	Spirit Shell	50-208	33mm Fast Blast Jar Adaptor

Note: Finger tighten the hold down ring (part# R-001) and spray regulator when reassembling front head assembly. NEVER tighten these parts into airbrush with wrench or pliers. This will cause damage requiring replacement of front shell assembly.

Notable Renegade Airbrush Series Features

- ~ "Tensionsense" ultra responsive trigger tension control system
- ~ "Stopset" accu-precision trigger setting mode
- ~ Exact taper fit, non-thread, micro-precise paint tips
- ~ "Pointperfect" polished needle micrology
- ~ "Smartcenter" nozzle technology with patented "guide and hold" assembly design ensures perfect paint tip centering for tighter line production
- ~ .21mm paint tips (.33 mm on R3R) 6 ° linear airflow angle - needle point (6.5° on R3R)



Badger Air-Brush Co. 9128 W. Belmont Ave. Franklin Park, IL 60131
Phone: 800-AIR-BRUSH or 847-678-3104 Fax: 800-57BADGER
Website: <http://www.badgerairbrush.com>