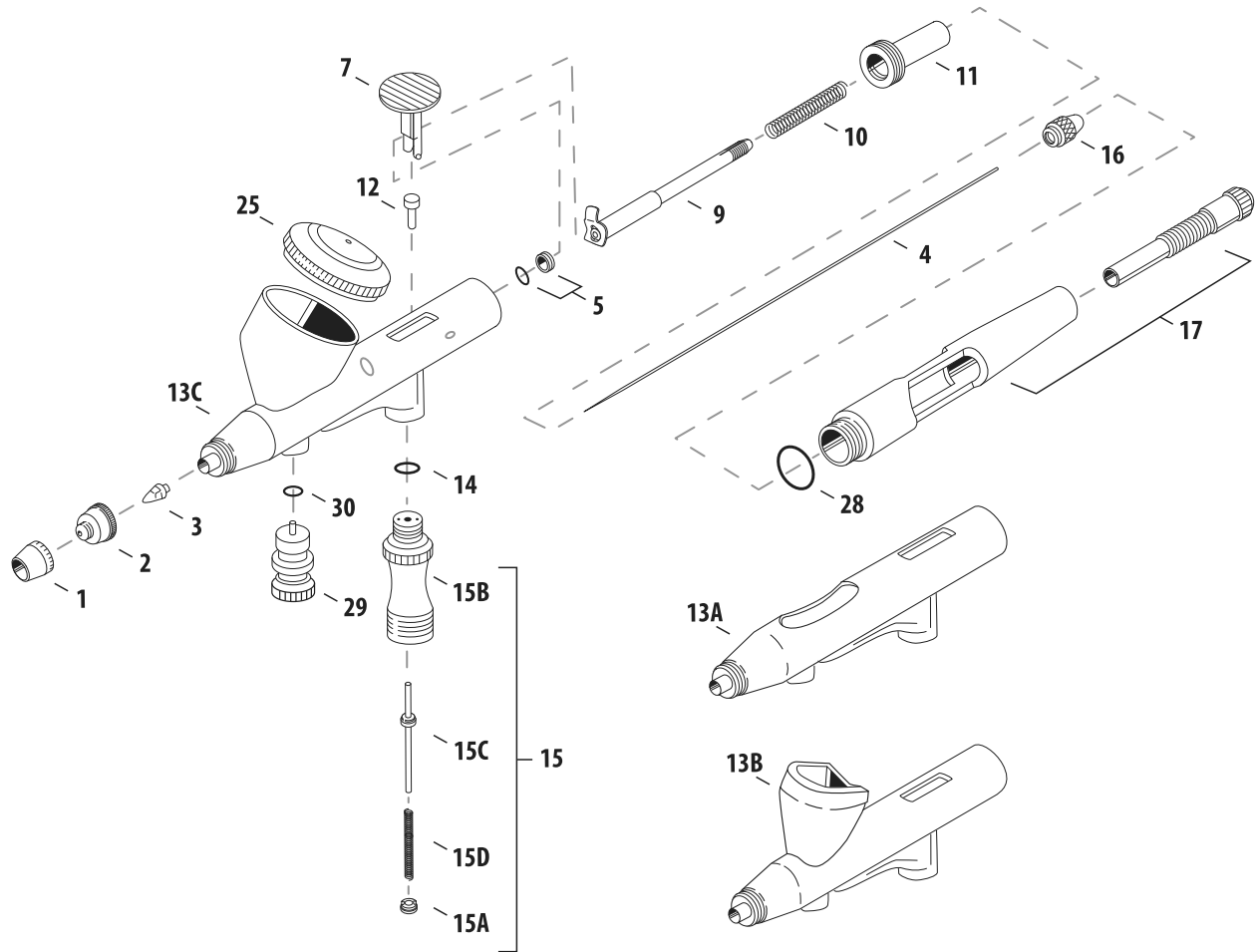


IWATA HI-LINE SERIES



#	ITEM DESCRIPTION	PRICE CODE	ITEM #	HP-AH	HP-BH	HP-CH	ALSO FITS	
1	Needle Cap	B	I 110 1	■	■	x	HP-A/+	
		B	I 110 2	x	x	■	HP-C/+	
2	Nozzle Cap	D	I 140 7	■	■	opt		
		D	I 140 3	opt	opt	■	HP-C/+	
3	Fluid Nozzle	H2	G	I 080 7	■	■	opt	HP+
		H3	G	I 080 8	opt	opt	■	HP+
4	Fluid Needle	H2	C	I 075 1	■	■	opt	HP-A/+
		H3	C	I 075 3	opt	opt	■	HP-C/+
5	Needle Packing Screw w/PTFE Needle Packing	B	I 125 7	■	■	x		
		B	I 725 1	x	x	■	REV	
7	Main Lever	D	I 100 2	■	■	■	HP-C/+	
9	Needle Chucking Guide w/Auxiliary Lever	C	I 115 7	■	■	x		
		C	I 715 1	x	x	■	REV	
10	Needle Spring	A	I 135 2	■	■	x	HP-A/+	
		A	I 135 1	x	x	■	ECL/REV	
11	Spring Guide	A	I 770 1	■	■	■	REV	
12	Valve Piston	A	I 175 1	■	■	■	HP-A/+	
13A	Body*			■	x	x		
13B				x	■	x		
13C				x	x	■		
14	Packing Valve Piston (O-Ring)	A	I 145 1	■	■	■	HP/+	

#	ITEM DESCRIPTION	PRICE CODE	ITEM #	HP-AH	HP-BH	HP-CH	ALSO FITS
15	Air Valve Set	G	I 030 1	■	■	x	HP-A/+
		G	I 030 4	x	x	■	HP-C/+
15A	Air Valve Guide	A	I 025 1	■	■	■	HP/+
15B	Air Valve Body	D	I 020 1	■	■	■	HP/+
15C	Air Valve	B	I 015 1	■	■	x	HP-A/+
		B	I 015 4	x	x	■	HP-C/+
15D	Air Valve Spring	A	I 035 1	■	■	■	HP/+
16	Needle Chucking Nut	A	I 120 1	■	■	■	HP/+
17	Pre-Set Handle Set	G	I 155 6	■	■	■	
25	Fluid Cup Lid	C	I 618 1	x	x	■	HP-C/+
28	Packing Handle (O-Ring)	A	I 605 1	■	■	■	CM-C+
29	Micro Air Control (MAC) Valve	D	I 190 1	■	■	■	CM-C+
30	Packing MAC Valve (O-Ring)	A	I 190 2	■	■	■	CM-C+
	Spanner (Nozzle Wrench)	A	I 165 1	■	■	■	HP/+
	Quick Fit Set (QD Screws Onto Airhose and Adaptor Screws Onto Airbrush)		I 160 3	opt	opt	opt	
	Quick Fit Adaptor (Adaptor Screws Onto Airbrush)		I 160 4	opt	opt	opt	
	Adaptor (Iwata Airbrushes to Paasche Air Hose)		J 001	opt	opt	opt	
	Adaptor (Iwata Airbrushes to T & C/Badger Air Hoses)		J 002	opt	opt	opt	

CALIFORNIA PROP 65 WARNING: Certain products identified with this symbol and offered for sale in this catalog contain lead, a chemical known to the State of California to cause cancer, birth defects and other reproductive harm.

■ = yes X = no opt = optional
*Replacement parts not available.