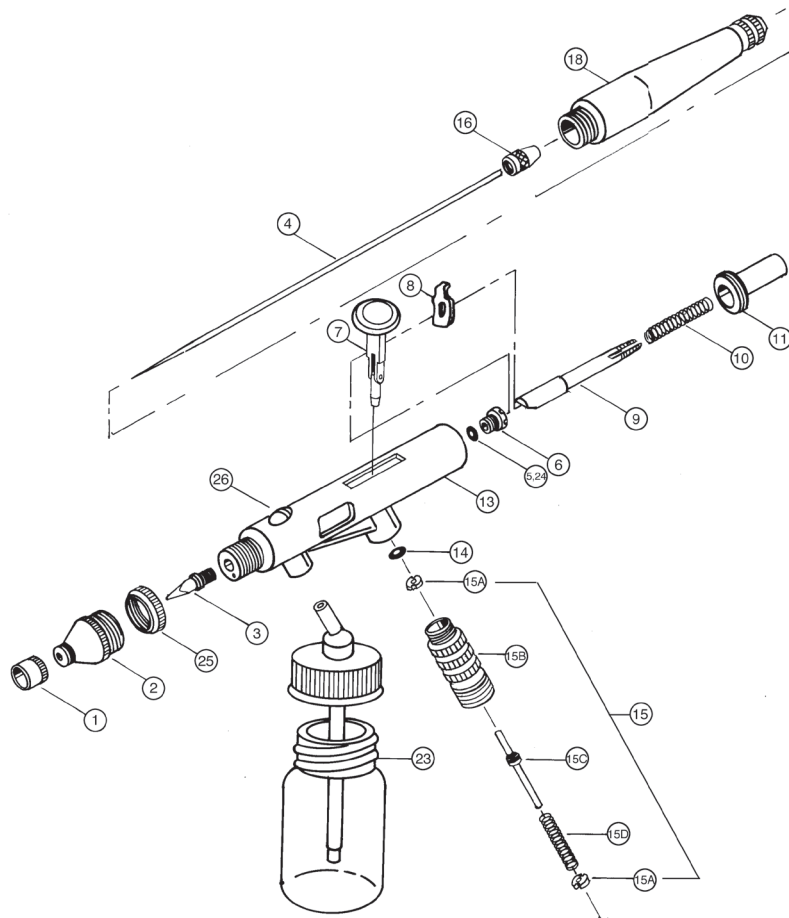


IWATA HIGH PERFORMANCE SERIES - BE1, BE2, E1



#	ITEM DESCRIPTION	PRICE CODE	ITEM #	HP BE1	HP BE2	HP E1	HP E2
	Adjusting Screw	A	I 005 2	x	x	■	■
1	Needle Cap	C	I 110 3	x	x	■	■
		C	I 110 4	■	■	x	x
2	Nozzle Cap	G	I 140 5	■	x	■	x
		G	I 140 6	x	■	x	■
3	Fluid Nozzle	G	I 080 5	■	x	■	x
		G	I 080 6	x	■	x	■
4	Fluid Needle 0.6 mm 0.8 mm	D	I 075 5	■	x	■	x
		D	I 075 6	x	■	x	■
	Handle	F	I 090 3	x	x	■	■
5	Packing Fluid Needle (O-Ring)	B	I 150 3	■	■	■	x
6	Needle Packing Screw	D	I 125 2	x	x	■	x
		D	I 125 4	■	■	x	x
6	Needle Packing Set	E	I 125 3	x	x	x	■
7	Main Lever	G	I 100 4	x	x	■	■
		G	I 100 5	■	■	x	x
8	Auxiliary Lever	A	I 040 2	■	■	■	■
9	Needle Chucking Guide	E	I 115 3	x	x	■	■
		E	I 115 4	■	■	x	x
10	Needle Spring	A	I 135 4	x	x	■	■
		A	I 135 5	■	■	x	x
13	Body*		N/A	x	x	■	x
			N/A	x	x	x	■
			N/A	■	x	x	x
			N/A	x	■	x	x

#	ITEM DESCRIPTION	PRICE CODE	ITEM #	HP BE1	HP BE2	HP E1	HP E2
14	Packing Air Piston (O-Ring)	A	I 145 2	■	■	■	■
15	Air Valve Set	H	I 030 2	■	■	■	■
15A	Air Valve Guide	B	I 025 2	■	■	■	■
15B	Air Valve Body	F	I 020 2	■	■	■	■
15C	Air Valve	D	I 015 2	■	■	■	■
15D	Air Valve Spring	A	I 035 2	■	■	■	■
16	Needle Chucking Nut	A	I 120 3	■	■	■	■
18	Pre Set Handle	G	I 155 3	■	■	x	x
23	Glass Bottles 3/4 oz 1-1/2 oz	G	I 405 2	opt	opt	x	x
		G	I 420 2	■	■	x	x
24	Needle Seat	A	I 130 1	■	■	■	x
25	Washer	D	I 180 1	■	x	■	x
		D	I 180 2	x	■	x	■
26	Blanking Screw	B	I 045 1	■	■	x	x
	Spanner	B	I 165 2	■	■	x	x
	Valve Piston	A	I 175 2	x	x	■	■
	Quick Fit Set (QD Screws Onto Air Hose and Adaptor Screws Onto Airbrush)		I 160 3	opt	opt	opt	opt
	Quick Fit Adaptor (Adaptor Screws Onto Airbrush)		I 160 4	opt	opt	opt	opt
	Adaptor (Iwata Airbrushes to Paasche Air Hose)		J 001	opt	opt	opt	opt
	Adaptor (Iwata Airbrushes to T & C/Badger Air Hoses)		J 002	opt	opt	opt	opt

CALIFORNIA PROP 65 WARNING: Certain products identified with this symbol and offered for sale in this catalog contain lead, a chemical known to the State of California to cause cancer, birth defects and other reproductive harm.

■ = yes x = no opt = optional
*Replacement parts not available.