

Hi-Line

TOTAL CONTROL™

IWATA HI-LINE HP-AH Gravity Feed Dual Action Airbrush #H1100

Illustrated Parts Listing



PARTS PICTURED

Part No.	Description	Part No.	Description
i 1101	Needle Cap 0.2MM (H2)	i 7701	Needle Spring Guide
i 1401	Head Cap 0.2MM (H2)	i 1201	Needle Chucking Nut
i 0807	Nozzle 0.2mm (H2)	i 0751	Needle 0.2mm (H2)
i 1002	Main Lever (Trigger)	i 1556	Handle Pre Set Set
i 1157	Needle Chucking Guide W/aux. Lever	i 1901	Micro Air Control (MAC) Valve
i 1352	Needle Spring		

PARTS NOT PICTURED

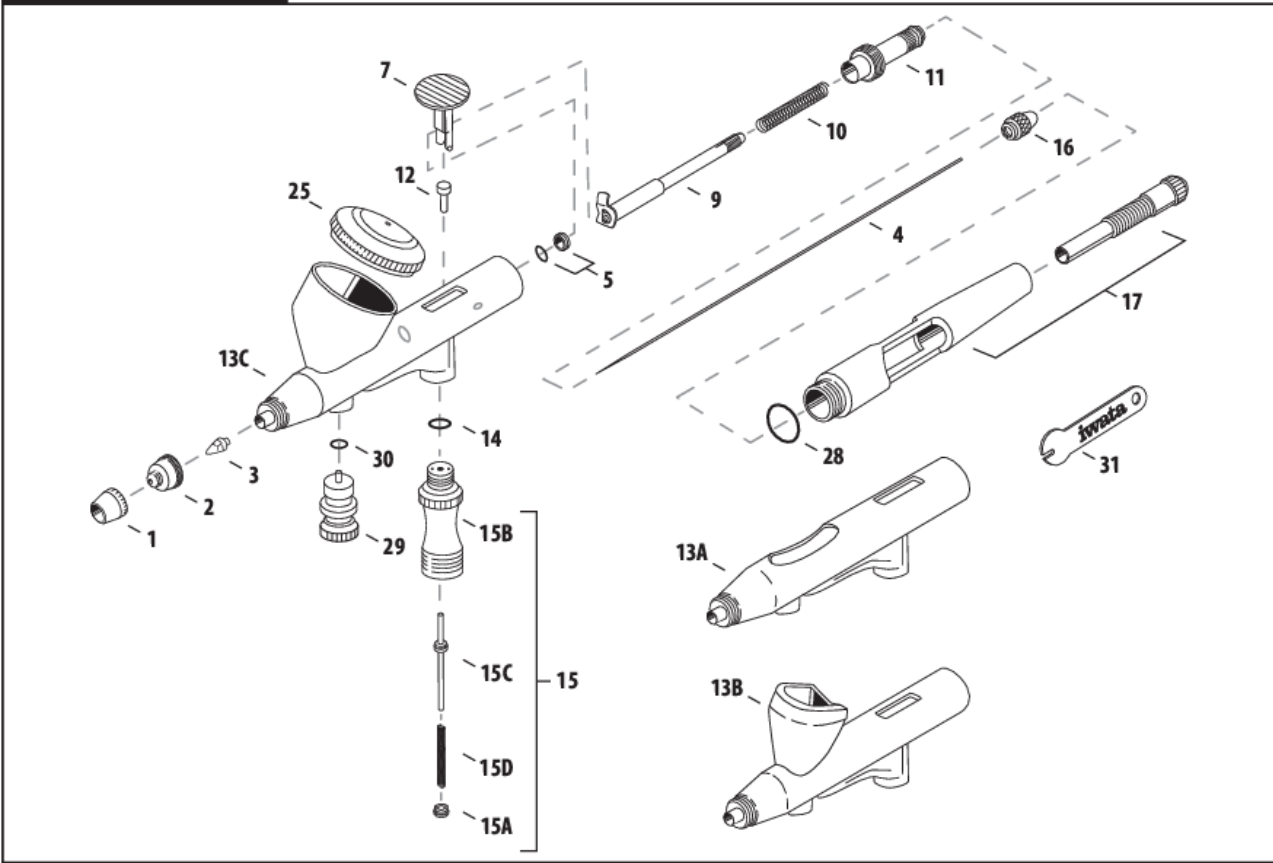
Part No.	Description	Part No.	Description
i 1050	Needle Crown Cap (Opt)	i 0151	Air Valve Piston
i 6051	Packing - Handle (O-ring)	i 0351	Air Valve Spring
i 1257	Needle Packing Screw W/O-ring	i 0251	Air Valve Guide
i 1451	Packing - Air Valve (O-ring)	i 1902	MAC Valve O-ring
i 1751	Valve Piston (for Trigger)	i 1651	Spanner (Wrench)
i 0301	Air Valve Set	(Opt)	Optional
i 0201	Air Valve Body Only		

See next Page for schematic

Available from:

Dixie Art Airbrush

www.dixieart.com • 800.783-2612



#	ITEM DESCRIPTION	PRICE CODE	ITEM #	HP-AH	HP-BH	HP-CH
1	Needle Cap	H2	B 11101	■	■	x
		H3	B 11102	x	x	■
2	Nozzle Cap	H2	D 11401	■	■	x
		H3	D 11403	OPT	OPT	■
3	Nozzle	H2	G 10807	■	■	OPT
		H3	G 10808	OPT	OPT	■
4	Needle	H2	C 10751	■	■	OPT
		H3	C 10753	OPT	OPT	■
5	Needle Packing Screw Set (PTFE)	B	11257	■	■	x
		B	17251	x	x	■
7	Main Lever	D	11002	■	■	■
9	Needle Chucking Guide with Auxiliary Lever	C	11157	■	■	x
		C	17151	x	x	■
10	Needle Spring	A	11352	■	■	x
		A	11351	x	x	■
11	Spring Guide	A	17701	■	■	■
12	Valve Piston	A	11751	■	■	■
13A	HP-AH Body*	-	-	■	x	x
13B	HP-BH Body*	-	-	x	■	x
13C	HP-CH Body*	-	-	x	x	■
14	Air Valve O-ring	A	11451	■	■	■

#	ITEM DESCRIPTION	PRICE CODE	ITEM #	HP-AH	HP-BH	HP-CH
15	Air Valve Set	G	10301	■	■	x
		G	10304	x	x	■
15A	Air Valve Guide	A	10251	■	■	■
15B	Air Valve Body	D	10201	■	■	■
15C	Air Valve	B	10151	■	■	x
		B	10154	x	x	■
15D	Air Valve Spring	A	10351	■	■	■
16	Needle Chucking Nut	A	11201	■	■	■
17	Preset Handle Set	G	11556	■	■	■
25	Fluid Cup Lid	C	16181	x	x	■
28	Packing Handle (O-ring)	A	16051	■	■	■
29	Micro Air Control (MAC) Valve	D	11901	■	■	■
30	MAC Valve O-ring	A	11902	■	■	■
31	Spanner	A	11651	■	■	■
	Needle Crown Cap	D	11050	OPT	OPT	OPT
	QuickFit Quick Disconnect Set	H	11603	OPT	OPT	OPT
	QuickFit Quick Disconnect Airbrush Adaptor	C	11604	OPT	OPT	OPT
	Airbrush Adapter for Paasche Air Hose	-	J001	OPT	OPT	OPT
	Airbrush Adapter for T&C/Badger Air Hoses	-	J002	OPT	OPT	OPT

■ = yes x = no opt = optional
*Replacement parts not available.