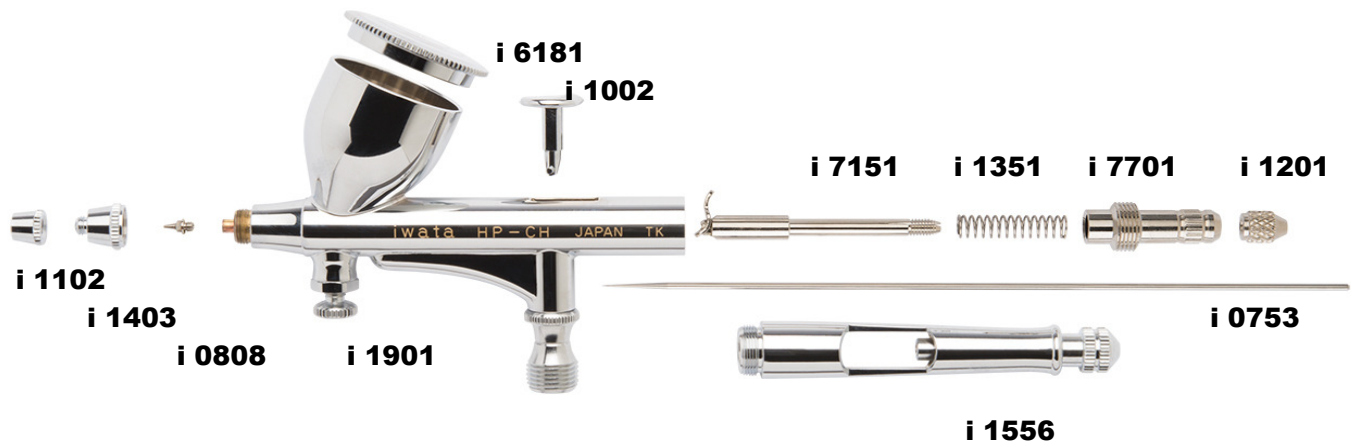


Hi-Line

TOTAL CONTROL™

IWATA HI-LINE HP-CH Gravity Feed Dual Action Airbrush #H4100

Illustrated Parts Listing



PARTS PICTURED

Part No.	Description	Part No.	Description
i 1102	Needle Cap 0.3MM (H3)	i 7701	Needle Spring Guide
i 1403	Head Cap 0.3MM (H3)	i 1201	Needle Chucking Nut
i 0808	Nozzle 0.3MM (H3)	i 0753	Needle 0.3MM (H3)
i 6181	Cup Lid 1/3oz	i 1556	Handle Pre Set Set
i 1002	Main Lever (Trigger)	i 1901	Micro Air Control (MAC) Valve
i 7151	Needle Chucking Guide W/aux. Lever		
i 1351	Needle Spring		

PARTS NOT PICTURED

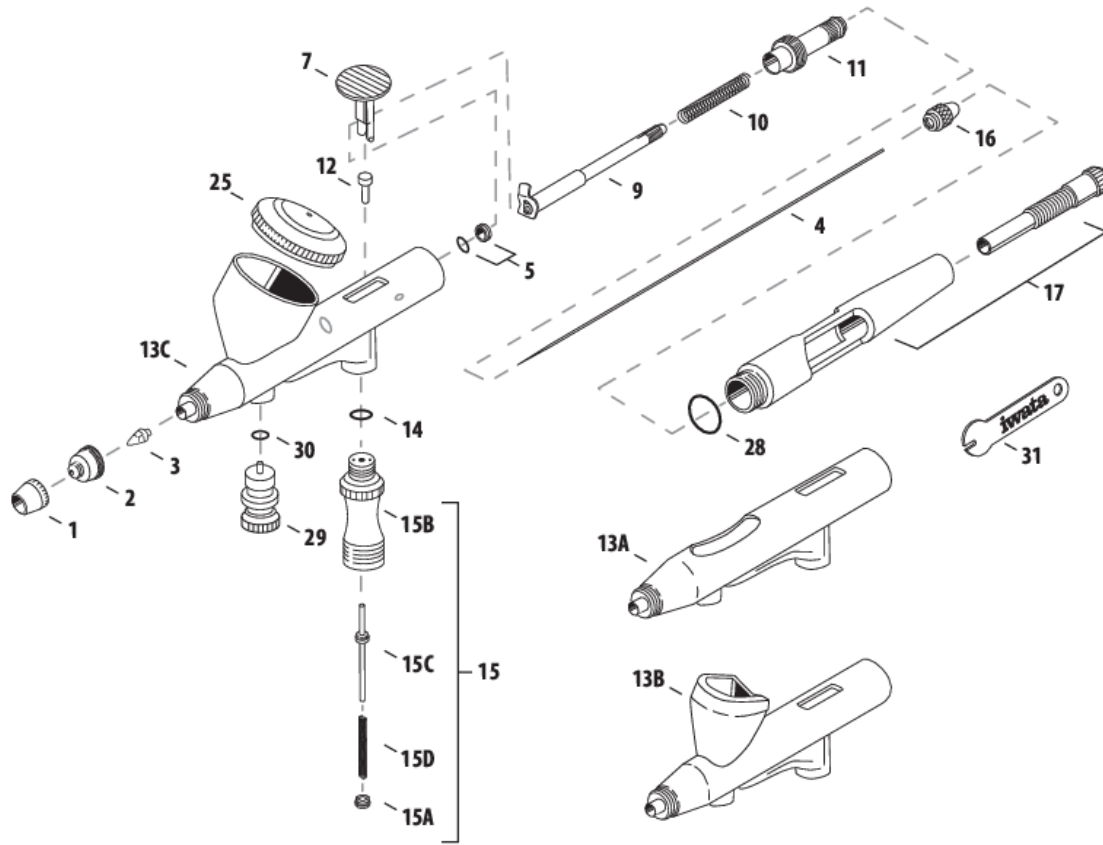
Part No.	Description	Part No.	Description
i 1050	Needle Crown Cap (Opt)	i 0154	Air Valve Piston
i 6051	Packing - Handle (O-ring)	i 0351	Air Valve Spring
i 7251	Needle Packing Screw W/O-ring	i 0251	Air Valve Guide
i 1451	Packing - Air Valve (O-ring)	i 1902	MAC Valve O-ring
i 1751	Valve Piston (for Trigger)	i 1651	Spanner (Wrench)
i 0304	Air Valve Set	(Opt)	Optional
i 0201	Air Valve Body Only		

See next Page for schematic

Available from:

Dixie Art Airbrush

www.dixieart.com • 800.783-2612



#	ITEM DESCRIPTION		PRICE CODE	ITEM #	HP-AH	HP-BH	HP-CH
1	Needle Cap	H2	B	I1101	■	■	x
		H3	B	I1102	x	x	■
2	Nozzle Cap	H2	D	I1401	■	■	x
		H3	D	I1403	OPT	OPT	■
3	Nozzle	H2	G	I0807	■	■	OPT
		H3	G	I0808	OPT	OPT	■
4	Needle	H2	C	I0751	■	■	OPT
		H3	C	I0753	OPT	OPT	■
5	Needle Packing Screw Set (PTFE)		B	I1257	■	■	x
			B	I7251	x	x	■
7	Main Lever		D	I1002	■	■	■
9	Needle Chucking Guide with Auxiliary Lever		C	I1157	■	■	x
			C	I7151	x	x	■
10	Needle Spring		A	I1352	■	■	x
			A	I1351	x	x	■
11	Spring Guide		A	I7701	■	■	■
12	Valve Piston		A	I1751	■	■	■
13A	HP-AH Body*		-	-	■	x	x
13B	HP-BH Body*		-	-	x	■	x
13C	HP-CH Body*		-	-	x	x	■
14	Air Valve O-ring		A	I1451	■	■	■

#	ITEM DESCRIPTION		PRICE CODE	ITEM #	HP-AH	HP-BH	HP-CH
15	Air Valve Set		G	I0301	■	■	x
			G	I0304	x	x	■
15A	Air Valve Guide		A	I0251	■	■	■
15B	Air Valve Body		D	I0201	■	■	■
15C	Air Valve		B	I0151	■	■	x
			B	I0154	x	x	■
15D	Air Valve Spring		A	I0351	■	■	■
16	Needle Chucking Nut		A	I1201	■	■	■
17	Preset Handle Set		G	I1556	■	■	■
25	Fluid Cup Lid		C	I6181	x	x	■
28	Packing Handle (O-ring)		A	I6051	■	■	■
29	Micro Air Control (MAC) Valve		D	I1901	■	■	■
30	MAC Valve O-ring		A	I1902	■	■	■
31	Spanner		A	I1651	■	■	■
	Needle Crown Cap		D	I1050	OPT	OPT	OPT
	QuickFit Quick Disconnect Set		H	I1603	OPT	OPT	OPT
	QuickFit Quick Disconnect Airbrush Adaptor		C	I1604	OPT	OPT	OPT
	Airbrush Adapter for Paasche Air Hose		-	J001	OPT	OPT	OPT
	Airbrush Adapter for T&C/Badger Air Hoses		-	J002	OPT	OPT	OPT

■ = yes x = no opt = optional
*Replacement parts not available.