

Hi-Line

TOTAL CONTROL™

IWATA HI-LINE HP-TH Gravity Feed Dual Action Trigger Airbrush #H5200

Illustrated Parts Listing



PARTS PICTURED

Part No.	Description	iPart No.	Description
i 1107	Air Cap Cover	i 7182	Cup Lid ½
I 1105	Air Cap Fan	i 1201	Needle Chucking Nut
I 1106	Air Cap Round	i 0757	Needle 0.5MM (H5)
i 0811	Nozzle 0.5MM (H5)	i 1559	Handle Pre Set Set
I 0708	Cup (Gravity) ½ oz.	i 1901	Micro Air Control (MAC) Valve

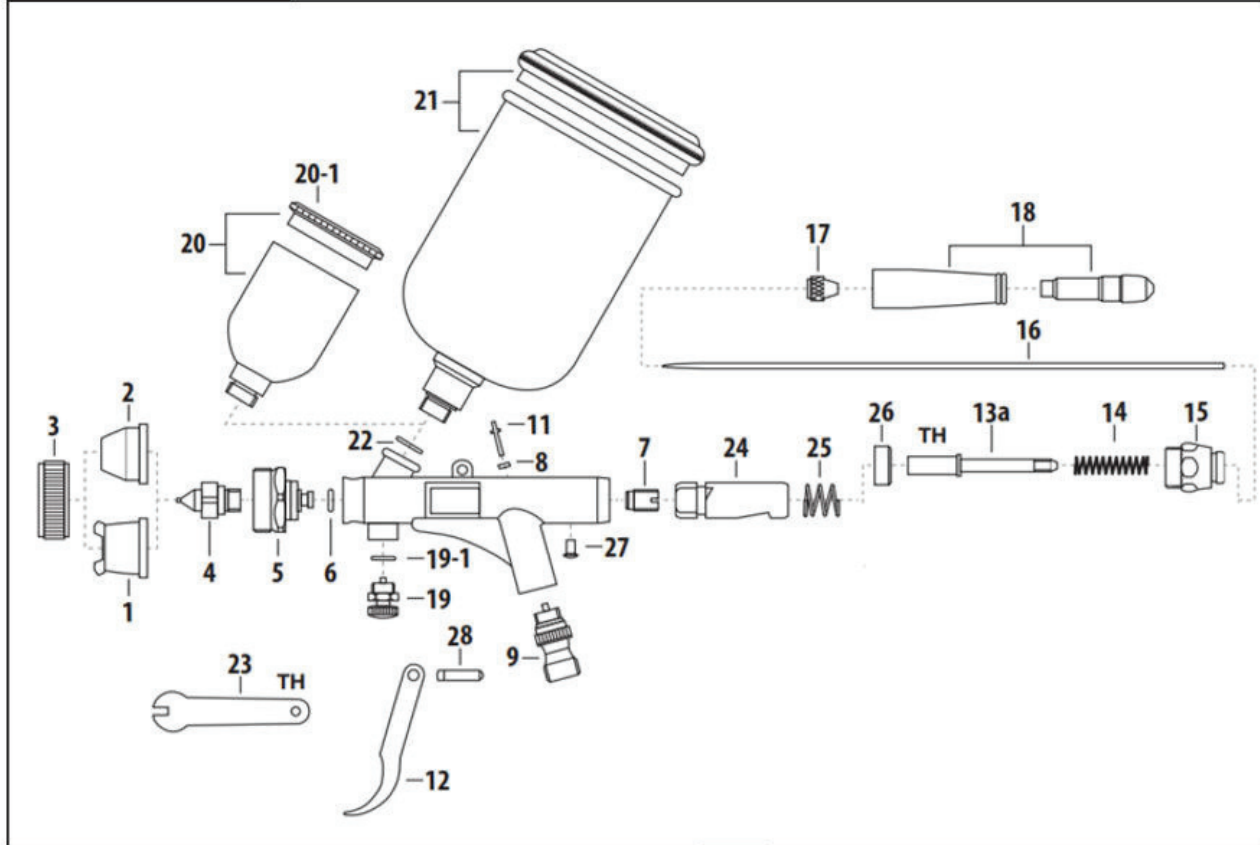
PARTS NOT PICTURED

Part No.	Description	Part No.	Description
i 7121	Air Valve Set	i 1258	Needle Packing Set
HPA-CB4M	Cup (Gravity) w/Lid 5 oz (Opt)	i 7703	Needle Spring
i 1507	Cup Packing Middle O-ring	i 7707	Needle Spring Guide
i 0821	Head Base	i 7301	Slide Cam
i 0831	Head Packing (O-ring)	i 7302	Slide Cam Spring
i 7121	Air Valve Set	i 7141	Trigger
i 1451	Valve Piston Packing O-rings	i 7142	Trigger Screw
i 1902	MAC Valve O-ring	i 7131	Valve Rod
i 7311	Main Body Ring	i 1651	Spanner (Wrench)
i 7312	Main Body Ring Screw	(Opt)	Optional
i 7152	Needle Chucking Guide		

See next Page for schematic

Available from:

Dixie Art Airbrush • www.dixieart.com • 800.783-2612



ITEM	DESCRIPTION	PART NUMBER	
		HP-TH	HP-TH2
1	AIR CAP(FAN PATTERN)	I1105	I1109
2	AIR CAP(ROUND PATTERN)	I1106	I1108
3	AIR CAP COVER	I1107	I1110
4	NOZZLE	I0811	I0812
5	HEAD	I0821	I0822
6	HEAD O-RING	I0831	I0831
7	NEEDLE PACKING SCREW	I1258	I1258
8	PISTON O-RING	I1451	98533780
9	AIR VALVE SET	I7121	I7123
9-1	JOINT O-RING	---	I6051
10	JOINT SLEEVE	---	98533810
11	VALVE ROD	I7131	I7132
12	TRIGGER	I7141	I7141
13a	NEEDLE CHUCKING GUIDE	I7152	---
13b	NEEDLE CHUCKING ASSEMBLY	---	I7150
14	NEEDLE SPRING	I7703	---
15	SPRING GUIDE	I1707	---

ITEM	DESCRIPTION	PART NUMBER	
		HP-TH	HP-TH2
16	NEEDLE	I0757	I0758
17	NEEDLE CHUCKING NUT	I1201	I1200
18	HANDLE(PRE-SET) ASSEMBLY	I1559	I1559
19	MICRO AIR CONTROL(MAC) VALVE SET	I1901	I1901
19-1	O-RING (2 PCS)	I1902	I1902
20	CUP (GRAVITY) 1/2OZ	I0708	I0708
20-1	CUP LID (GRAVITY) 1/2OZ	I7182	I7182
21	CUP (GRAVITY) W/LID 5OZ	HPA-CB4M	HPA-CB4M
22	CUP O-RING	I1507	I1507
23	SPANNER	I1651	I1653
24	SLIDE CAM	I7301	I7301
25	SLIDE CAM SPRING	I7302	I7302
26	MAIN BODY RING	I7311	---
27	MAIN BODY RING SCREW	I7312	---
28	TRIGGER SCREW	I7142	I7142
29	GRIP HANDLE	---	98533860
30	GRIP NUT	---	98533870