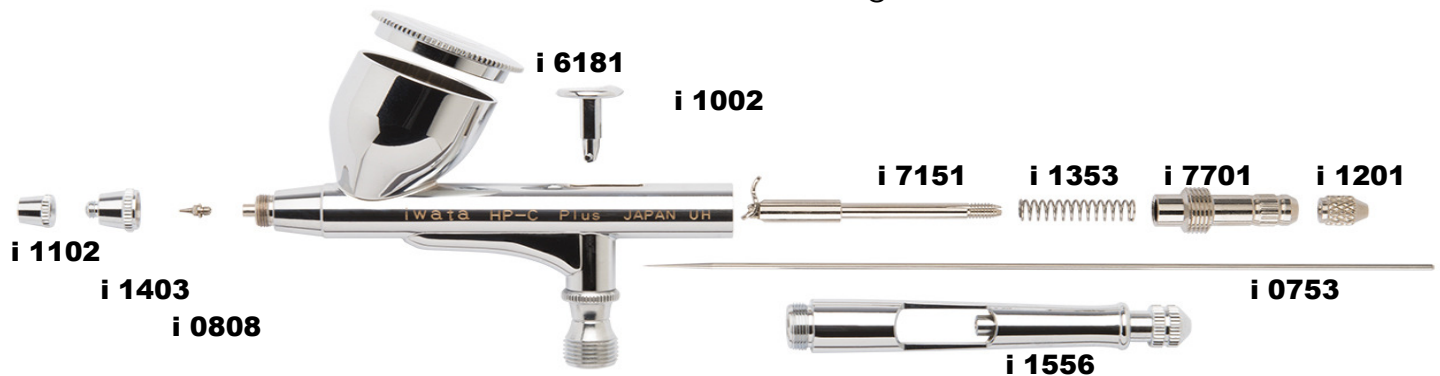


# High Performance PLUS

## TOTAL CONTROL™

### IWATA HIGH PERFORMANCE HP-C PLUS Gravity Feed Dual Action Airbrush #H4001

#### Illustrated Parts Listing



#### PARTS PICTURED

| Part No. | Description                        | Part No. | Description                 |
|----------|------------------------------------|----------|-----------------------------|
| i 1102   | Needle Cap                         | i 1353   | Needle Spring               |
| i 1403   | Head Cap                           | i 7701   | Needle Spring Guide         |
| i 0808   | Nozzle 0.3mm (H3)                  | i 1201   | Needle Chucking Nut         |
| i 6181   | Cup Lid (Gravity Feed) 1/3oz       | i 0753   | Needle 0.3mm (H3)           |
| i 1002   | Main Lever (Trigger)               | i 1556   | Handle (Pre Set/Single Cut) |
| i 7151   | Needle Chucking Guide W/aux. Lever |          |                             |

#### PARTS NOT PICTURED

| Part No. | Description                   | Part No. | Description         |
|----------|-------------------------------|----------|---------------------|
| i 1050   | Needle Crown Cap (Opt)        | i 0201   | Air Valve Body Only |
| i 6051   | Packing - Handle (O-ring)     | i 0154   | Air Valve Piston    |
| i 7251   | Needle Packing Screw W/O-ring | i 0351   | Air Valve Spring    |
| i 1451   | Packing - Air Valve (o-ring)  | i 0251   | Air Valve Guide     |
| i 1751   | Valve Piston (for Trigger)    | i 1651   | Spanner (Wrench)    |
| i 0304   | Air Valve Set                 | (Opt)    | Optional            |

*See next Page for schematic*

Available from:

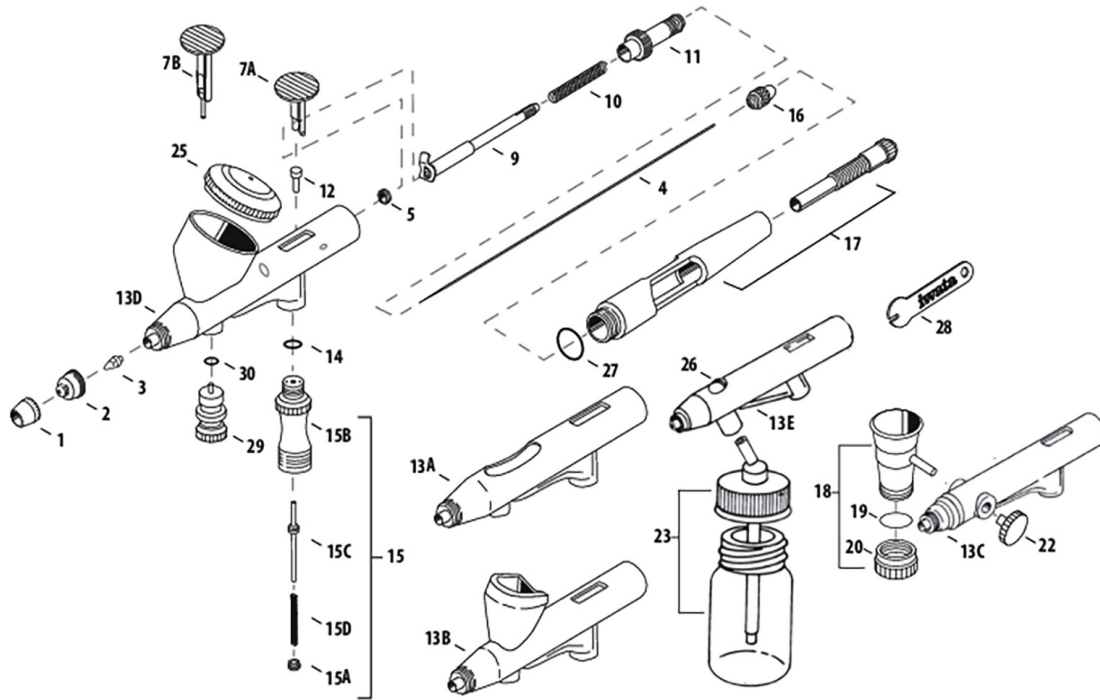
*Dixie Art Airbrush*

[www.dixieart.com](http://www.dixieart.com) • 800.783-2612

**TOTAL CONTROL™**  
トータルコントロール

# IWATA HIGH PERFORMANCE PLUS AIRBRUSH SERIES

HP-A+ / HP-B+ / HP-SB+ / HP-C+ / HP-BC+



| #   | ITEM DESCRIPTION                           | PRICE CODE | ITEM #  | HP-A+ | HP-B+ | HP-SB+ | HP-C+ | HP-BC+ |
|-----|--|------------|---------|-------|-------|--------|-------|--------|
| 1   | Needle Cap                                 | H2         | B 11101 | ■     | ■     | ■      | x     | x      |
|     |  | H3         | B 11102 | x     | x     | x      | ■     | ■      |
| 2   | Nozzle Cap                                 | H2         | D 11401 | ■     | ■     | ■      | x     | x      |
|     |  | H3         | D 11403 | x     | x     | x      | ■     | ■      |
| 3   | Nozzle                                     | H2         | G 10807 | ■     | ■     | ■      | x     | x      |
|     |  | H3         | G 10808 | x     | x     | x      | ■     | ■      |
| 4   | Needle                                     | H2         | C 10751 | ■     | ■     | ■      | x     | x      |
|     |  | H3         | C 10753 | x     | x     | x      | ■     | ■      |
| 5   | Needle Packing Screw Set (PTFE)            | B          | 11257   | ■     | ■     | ■      | x     | x      |
|     |  | B          | 17251   | x     | x     | x      | ■     | ■      |
| 7A  | Main Lever                                 | D          | 11001   | ■     | ■     | ■      | x     | x      |
|     |  | D          | 11002   | x     | x     | x      | ■     | x      |
| 7B  | Main Lever                                 | G          | 11003   | x     | x     | x      | x     | ■      |
| 9   | Needle Chucking Guide with Auxiliary Lever | C          | 11157   | ■     | ■     | ■      | x     | x      |
|     |  | C          | 17151   | x     | x     | x      | ■     | ■      |
| 10  | Needle Spring                              | A          | 11352   | ■     | ■     | ■      | x     | x      |
|     |  | A          | 11353   | x     | x     | x      | ■     | ■      |
| 11  | Spring Guide                               | C          | 17706   | ■     | ■     | ■      | x     | x      |
|     |  | A          | 17701   | x     | x     | x      | ■     | ■      |
| 12  | Valve Piston                               | A          | 11751   | ■     | ■     | ■      | ■     | x      |
| 13A | HP-A Plus Body*                            | -          | -       | ■     | x     | x      | x     | x      |
| 13B | HP-B Plus Body*                            | -          | -       | x     | ■     | x      | x     | x      |
| 13C | HP-SB Plus Body*                           | -          | -       | x     | x     | ■      | x     | x      |
| 13D | HP-C Plus Body*                            | -          | -       | x     | x     | x      | ■     | x      |
| 13E | HP-BC Plus Body*                           | -          | -       | x     | x     | x      | x     | ■      |
| 14  | Air Valve O-ring                           | A          | 11451   | ■     | ■     | ■      | ■     | ■      |

| #   | ITEM DESCRIPTION                           | PRICE CODE | ITEM # | HP-A+ | HP-B+ | HP-SB+ | HP-C+ | HP-BC+ |
|-----|--|------------|--------|-------|-------|--------|-------|--------|
| 15  | Air Valve Set                              | G          | I0301  | ■     | ■     | ■      | x     | x      |
|     |  | G          | I0304  | x     | x     | x      | ■     | ■      |
| 15A | Air Valve Guide                            | A          | I0251  | ■     | ■     | ■      | ■     | ■      |
| 15B | Air Valve Body                             | D          | I0201  | ■     | ■     | ■      | ■     | ■      |
| 15C | Air Valve                                  | B          | I0151  | ■     | ■     | ■      | x     | x      |
|     |  | B          | I0154  | x     | x     | x      | ■     | ■      |
| 15D | Air Valve Spring                           | A          | I0351  | ■     | ■     | ■      | ■     | ■      |
| 16  | Needle Chucking Nut                        | A          | I1201  | ■     | ■     | ■      | ■     | ■      |
| 17  | Preset Handle Set                          | G          | I1555  | ■     | ■     | ■      | x     | x      |
|     |  | G          | I1556  | x     | x     | x      | ■     | ■      |
| 18  | Cup (Side) 0.05 oz / 1.50 ml               | G          | I0703  | x     | x     | ■      | x     | x      |
| 19  | Cup Packing Lower Lid                      | A          | I1505  | x     | x     | ■      | x     | x      |
| 20  | Cup Lower Lid 0.05 oz / 1.50 ml            | B          | I0956  | x     | x     | ■      | x     | x      |
| 22  | Blanking Cover                             | A          | I0452  | x     | x     | ■      | x     | x      |
| 23  | Glass Bottle Set 0.75 oz / 20 ml           | G          | I4052  | x     | x     | x      | x     | ■      |
| 25  | Fluid Cup Lid                              | C          | I6181  | x     | x     | x      | ■     | x      |
| 26  | Blanking Screw                             | B          | I0451  | x     | x     | x      | x     | ■      |
| 27  | Packing Handle (O-ring)                    | A          | I6051  | ■     | ■     | ■      | ■     | ■      |
| 28  | Spanner                                    | A          | I1651  | ■     | ■     | ■      | ■     | ■      |
|     | Needle Crown Cap                           | D          | I1050  | OPT   | OPT   | OPT    | OPT   | OPT    |
|     | QuickFit Quick Disconnect Set              | H          | I1603  | OPT   | OPT   | OPT    | OPT   | OPT    |
|     | QuickFit Quick Disconnect Airbrush Adaptor | C          | I1604  | OPT   | OPT   | OPT    | OPT   | OPT    |
|     | Airbrush Adapter for Paasche Air Hose      | -          | J001   | OPT   | OPT   | OPT    | OPT   | OPT    |
|     | Airbrush Adapter for T&C/Badger Air Hoses  | -          | J002   | OPT   | OPT   | OPT    | OPT   | OPT    |

■ = yes X = no opt = optional  
\*Replacement parts not available.

Available from: *Dixie Art Airbrush* • [www.dixieart.com](http://www.dixieart.com) • 800/783-2612