



IWATA HIGH PERFORMANCE SERIES HP-C 50TH ANNIVERSARY AIRBRUSH

# IWATA HIGH PERFORMANCE HP-C 50<sup>th</sup> Anniversary Edition Gravity Feed Dual Action Airbrush #H4050

*No Longer in Production*

## Illustrated Parts Listing



### PARTS PICTURED

Part No.	Description	Part No.	Description
i 1102	Needle Cap	i 1353	Needle Spring
i 1403	Head Cap	i 1702	Needle Spring Guide
i 0803	Nozzle 0.3mm (H3)	i 1202	Needle Chucking Nut
i 0954	Cup Lid (Gravity Feed) 1/3oz	i 0753	Needle 0.3mm (H3)
i 1002	Main Lever (Trigger)	i 0902	Handle (Pre Set/Single Cut)
i 1152	Needle Chucking Guide		

### PARTS NOT PICTURED

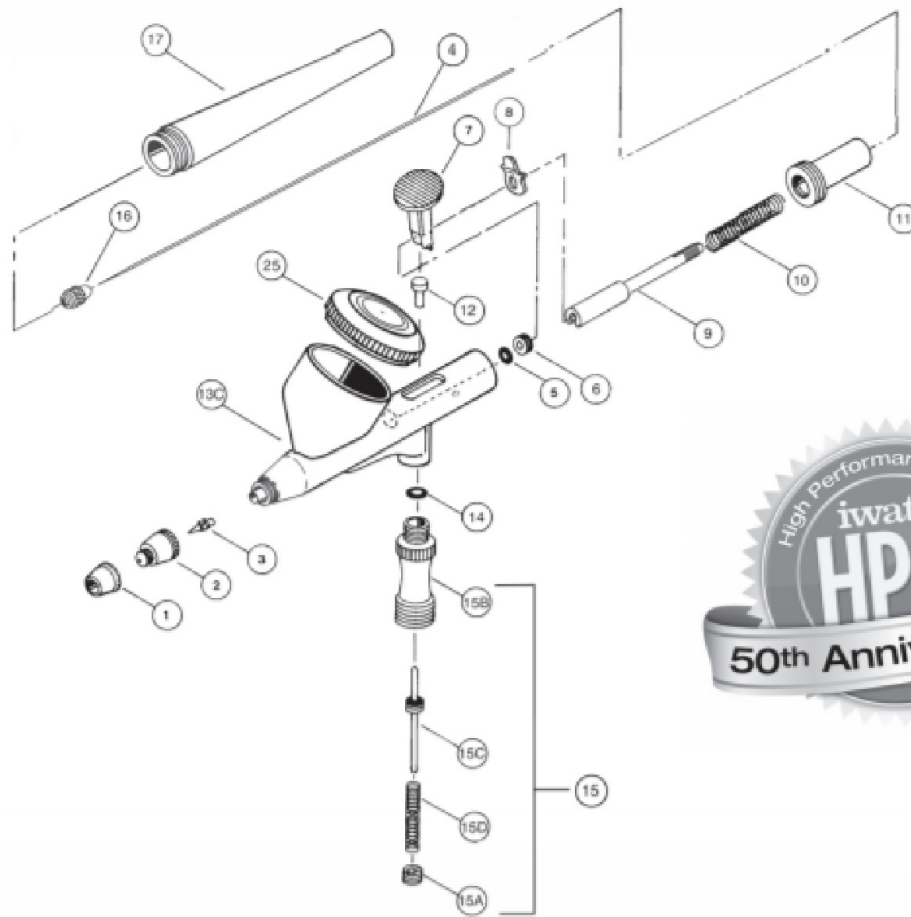
Part No.	Description	Part No.	Description
i 1050	Needle Crown Cap (Opt)	i 0201	Air Valve Body Only
i 6051	Packing - Handle (O-ring)	i 0154	Air Valve Piston
i 0404	Auxiliary Lever	i 0351	Air Valve Spring
i 1251	Needle Packing Screw	i 0251	Air Valve Guide
i 1502	Needle Packing O-Ring	i 1552	Handle (Pre-Set) (Opt)
i 1451	Packing - Air Valve (o-ring)	i 1651	Spanner (Wrench)
i 1751	Valve Piston (for Trigger)	(Opt)	Optional
i 0304	Air Valve Set		

*See next Page for schematic*

Available from:

*Dixie Art Airbrush*

[www.dixieart.com](http://www.dixieart.com) • 800.783-2612



— IWATA HP-C AIRBRUSH • MASTER PARTS LIST —

#	Item Description	Price Code	Item#	HP-C
1	Needle Cap	B	I 110 2	■
2	Nozzle Cap			
	0.3 mm	D	I 140 3	■
	0.4 mm	D	I 140 4	opt
3	Fluid Nozzle			
	0.3 mm	G	I 080 3	■
	0.4 mm	G	I 080 4	opt
	0.2 mm	G	I 085 2	opt
4	Fluid Needle			
	0.3 mm	C	I 075 3	■
	0.4 mm	C	I 075 4	opt
5	Packing Fluid Needle (O-Ring)	A	I 150 2	■
6	Needle Packing Screw	A	I 125 1	■
7	Main Lever	D	I 100 2	■
8	Auxiliary Lever	A	I 040 4	■
9	Needle Chucking Guide	C	I 115 2	■
10	Needle Spring	A	I 135 3	■
11	Spring Guide	C	I 170 2	■
12	Valve Piston	PROP 65	A I 175 1	■
13	Body*		N/A	■
14	Packing Air Piston (O-Ring)	A	I 145 1	■
15	Air Valve Set	G	I 030 4	■

■ = yes x = no opt = optional

#	Item Description	Price Code	Item#	HP-C
15A	Air Valve Guide	PROP 65	A I 025 1	■
15B	Air Valve Body	D	I 020 1	■
15C	Air Valve	PROP 65	B I 015 4	■
15D	Air Valve Spring	A	I 035 1	■
16	Needle Chucking Nut	A	I 120 2	■
17	Handle	E	I 090 2	■
18	Pre-Set Handle	G	I 155 2	opt
25	Lid	C	I 095 4	■
	Spanner	A	I 165 1	■
	Conversion Kit (Converts 0.3 mm to 0.4 mm Nozzle - 4 Piece Conversion)	I	I 195 1	■
	N/A Crown Cap	D	I 105 0	opt
	Quick Fit Set (QD Screws Onto Air Hose and Adaptor Screws Onto Airbrush)		I 160 3	opt
	Quick Fit Adaptor (Screws Onto Airbrush)		I 160 4	opt
	Adaptor (Iwata Airbrushes to Paasche Airhose)		J 001	opt
	Adaptor (Iwata Airbrushes to T & C/Badger Air Hoses)		J 002	opt

■ = yes x = no opt = optional

**PROP 65 CALIFORNIA PROP 65 WARNING:** Certain products identified with this symbol and offered for sale in this catalog contain lead, a chemical known to the State of California to cause cancer, birth defects and other reproductive harm.

\*Replacement parts not available.

Available from: *Dixie Art Airbrush* • [www.dixieart.com](http://www.dixieart.com) • 800/783-2612