

High Performance PLUS

TOTAL CONTROL™

IWATA HIGH PERFORMANCE HP-SB PLUS Side Feed Dual Action Airbrush #H3001

Illustrated Parts Listing



PARTS PICTURED

| Part No. | Description | Part No. | Description |
|----------|------------------------------------|----------|-----------------------------|
| I 1101 | Needle Cap | I 1352 | Needle Spring |
| I 1401 | Head Cap 0.2MM (H2) | I 7706 | Needle Spring Guide |
| I 0807 | Nozzle 0.2mm (H2) | I 1201 | Needle Chucking Nut |
| I 0703 | Cup Side Feed 1/8OZ | I 0452 | Blanking Cover |
| I 1001 | Main Lever (Trigger) | I 0751 | Needle 0.2mm (H2) |
| I 1157 | Needle Chucking Guide W/aux. Lever | I 1555 | Handle (Pre Set/Single Cut) |

PARTS NOT PICTURED

| Part No. | Description | Part No. | Description |
|----------|-------------------------------|----------|--------------------------------|
| I 1050 | Needle Crown Cap (Opt) | I 0151 | Air Valve Piston |
| I 6051 | Packing - Handle (O-ring) | I 0351 | Air Valve Spring |
| I 1257 | Needle Packing Screw W/O-ring | I 0251 | Air Valve Guide |
| I 1451 | Packing - Air Valve (O-ring) | I 0956 | Cup Lower Lid 1/8 oz |
| I 1751 | Valve Piston (for Trigger) | I 1505 | Cup Lower Lid Packing (o-ring) |
| I 0301 | Air Valve Set | I 1651 | Spanner (Wrench) |
| I 0201 | Air Valve Body Only | (Opt) | Optional |

See next Page for schematic

Available from:

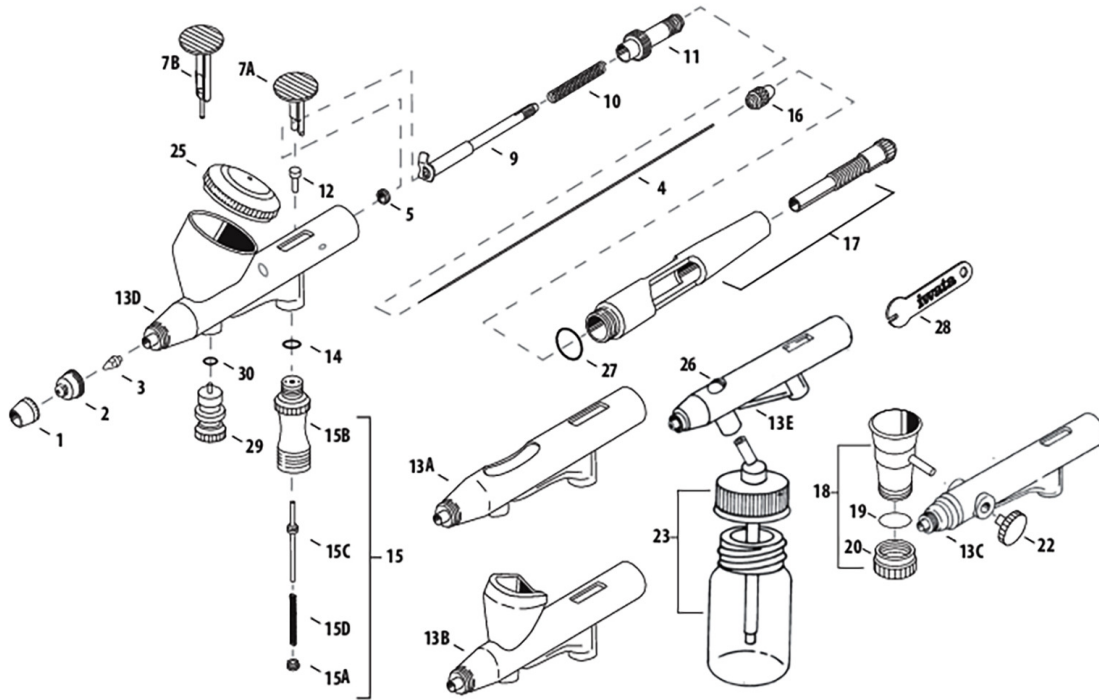
Dixie Art Airbrush

www.dixieart.com • 800.783-2612

TOTAL CONTROL™
トータルコントロール

IWATA HIGH PERFORMANCE PLUS AIRBRUSH SERIES

HP-A+ / HP-B+ / HP-SB+ / HP-C+ / HP-BC+



| # | ITEM DESCRIPTION | PRICE CODE | ITEM # | HP-A+ | HP-B+ | HP-SB+ | HP-C+ | HP-BC+ |
|-----|--------------------------------------------|------------|---------|-------|-------|--------|-------|--------|
| 1 | Needle Cap | H2 | B 11101 | ■ | ■ | ■ | x | x |
| | | HB | B 11102 | x | x | x | ■ | ■ |
| 2 | Nozzle Cap | H2 | D 11401 | ■ | ■ | ■ | x | x |
| | | HB | D 11403 | x | x | x | ■ | ■ |
| 3 | Nozzle | H2 | G 10807 | ■ | ■ | ■ | x | x |
| | | HB | G 10808 | x | x | x | ■ | ■ |
| 4 | Needle | H2 | C 10751 | ■ | ■ | ■ | x | x |
| | | HB | C 10753 | x | x | x | ■ | ■ |
| 5 | Needle Packing Screw Set (PTFE) | B | 11257 | ■ | ■ | ■ | x | x |
| | | B | 17251 | x | x | x | ■ | ■ |
| 7A | Main Lever | D | 11001 | ■ | ■ | ■ | x | x |
| | | D | 11002 | x | x | x | ■ | x |
| 7B | Main Lever | G | 11003 | x | x | x | x | ■ |
| 9 | Needle Chucking Guide with Auxiliary Lever | C | 11157 | ■ | ■ | ■ | x | x |
| | | C | 17151 | x | x | x | ■ | ■ |
| 10 | Needle Spring | A | 11352 | ■ | ■ | ■ | x | x |
| | | A | 11353 | x | x | x | ■ | ■ |
| 11 | Spring Guide | C | 17706 | ■ | ■ | ■ | x | x |
| | | A | 17701 | x | x | x | ■ | ■ |
| 12 | Valve Piston | A | 11751 | ■ | ■ | ■ | ■ | x |
| 13A | HP-A Plus Body* | - | - | ■ | x | x | x | x |
| 13B | HP-B Plus Body* | - | - | x | ■ | x | x | x |
| 13C | HP-SB Plus Body* | - | - | x | x | ■ | x | x |
| 13D | HP-C Plus Body* | - | - | x | x | x | ■ | x |
| 13E | HP-BC Plus Body* | - | - | x | x | x | x | ■ |
| 14 | Air Valve O-ring | A | 11451 | ■ | ■ | ■ | ■ | ■ |

| # | ITEM DESCRIPTION | PRICE CODE | ITEM # | HP-A+ | HP-B+ | HP-SB+ | HP-C+ | HP-BC+ |
|-----|--------------------------------------------|------------|--------|-------|-------|--------|-------|--------|
| 15 | Air Valve Set | G | I0301 | ■ | ■ | ■ | x | x |
| | | G | I0304 | x | x | x | ■ | ■ |
| 15A | Air Valve Guide | A | I0251 | ■ | ■ | ■ | ■ | ■ |
| 15B | Air Valve Body | D | I0201 | ■ | ■ | ■ | ■ | ■ |
| 15C | Air Valve | B | I0151 | ■ | ■ | ■ | x | x |
| | | B | I0154 | x | x | x | ■ | ■ |
| 15D | Air Valve Spring | A | I0351 | ■ | ■ | ■ | ■ | ■ |
| 16 | Needle Chucking Nut | A | I1201 | ■ | ■ | ■ | ■ | ■ |
| 17 | Preset Handle Set | G | I1555 | ■ | ■ | ■ | x | x |
| | | G | I1556 | x | x | x | ■ | ■ |
| 18 | Cup (Side) 0.05 oz / 1.50 ml | G | I0703 | x | x | ■ | x | x |
| 19 | Cup Packing Lower Lid | A | I1505 | x | x | ■ | x | x |
| 20 | Cup Lower Lid 0.05 oz / 1.50 ml | B | I0956 | x | x | ■ | x | x |
| 22 | Blanking Cover | A | I0452 | x | x | ■ | x | x |
| 23 | Glass Bottle Set 0.75 oz / 20 ml | G | I4052 | x | x | x | x | ■ |
| 25 | Fluid Cup Lid | C | I6181 | x | x | x | ■ | x |
| 26 | Blanking Screw | B | I0451 | x | x | x | x | ■ |
| 27 | Packing Handle (O-ring) | A | I6051 | ■ | ■ | ■ | ■ | ■ |
| 28 | Spanner | A | I1651 | ■ | ■ | ■ | ■ | ■ |
| | Needle Crown Cap | D | I1050 | OPT | OPT | OPT | OPT | OPT |
| | QuickFit Quick Disconnect Set | H | I1603 | OPT | OPT | OPT | OPT | OPT |
| | QuickFit Quick Disconnect Airbrush Adaptor | C | I1604 | OPT | OPT | OPT | OPT | OPT |
| | Airbrush Adapter for Paasche Air Hose | - | J001 | OPT | OPT | OPT | OPT | OPT |
| | Airbrush Adapter for T&C/Badger Air Hoses | - | J002 | OPT | OPT | OPT | OPT | OPT |

■ = yes X = no opt = optional
*Replacement parts not available.

Available from: *Dixie Art Airbrush* • www.dixieart.com • 800/783-2612