

Custom Micron  
ABSOLUTE PRECISION™

## CUSTOM MICRON CM-B Original Series Gravity Feed Dual Action Airbrush

### Illustrated Parts Listing



No	Part No.	Description
1	i 5351	Head System 0.18mm
1A	i 5351D	Head Needle Crown Cap
1B	i 5351C	Head Nozzle Cap 0.18mm
1C	i 5351B	Head Nozzle 0.18mm
1D	i 5351A	Head Nozzle Base
2	i 5802	Head Packing (washer)
3	---	Body CM-B
5	i 5902	Packing Fluid Needle Set (PTFE)
6	i 5901	Spring Guide
7	i 5501	Needle Chucking Guide
8	i 5701	Needle Spring
9	i 5751	Needle Spring Adjuster

No	Part No.	Description
10	i 5401	Fluid Needle 0.18mm
11	i 5601	Needle Chucking Nut
12A	i 5851	Handle (Preset)
13	i 5451	Main Lever
14	i 5001	Valve Piston
15	i 5151	Auxiliary Lever
16	i 5801	Valve Piston Packing (washer)
17	i 5101	Air Valve Set
18	i 5551	Needle Chucking Guide Screw
31	i 1651	Spanner (nozzle wrench)
Optional		
12B	i 5852	Handle (Single Cut)

See next Page for schematic

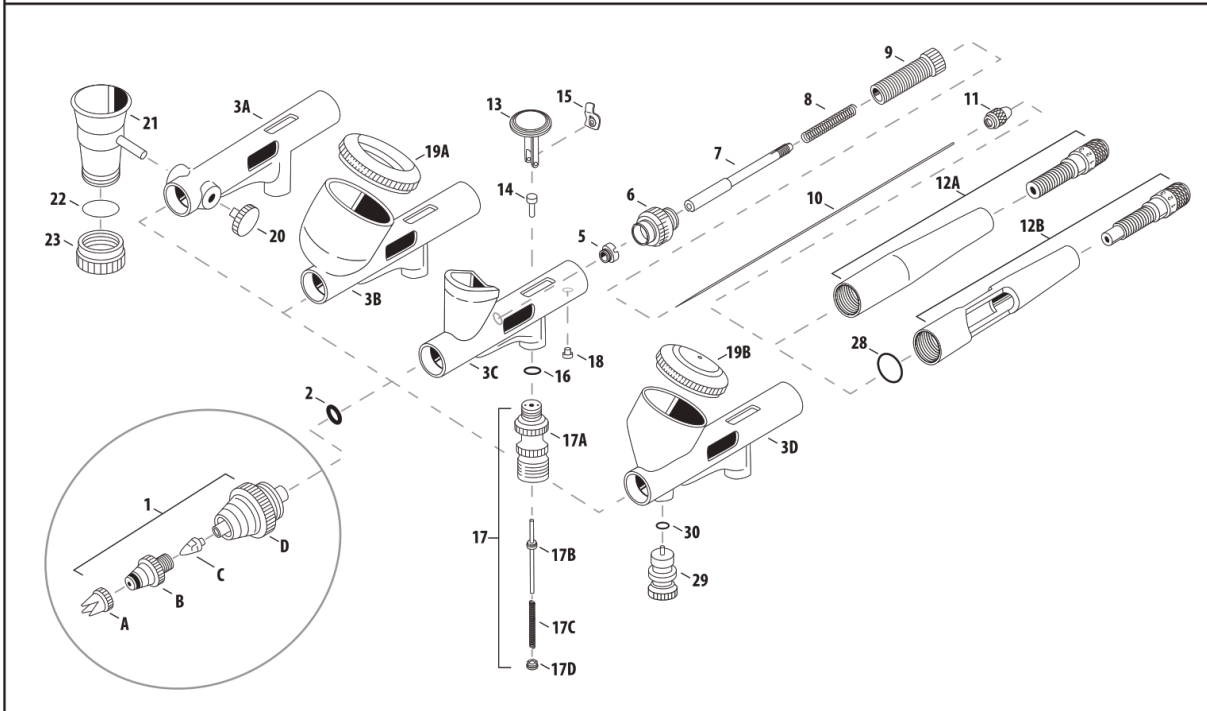
Available from:

*Dixie Art Airbrush*

[www.dixieart.com](http://www.dixieart.com)

800.783-2612 • 504.466.7609

# IWATA CUSTOM MICRON SERIES (ORIGINAL)



#	ITEM DESCRIPTION	PRICE CODE	ITEM #	CM-B	CM-SB	CM-C	CM-C+	ALSO FITS
1	Fluid Head System 0.18 mm	L	1535 1	■	■	x	x	All CM
	0.23 mm	L	1535 2	x	x	■	■	All CM
1A	Fluid Head-Needle Crown Cap	D	1535 1D	■	■	■	■	All CM
1B	Fluid Head-Nozzle Cap	G	1535 1C	■	■	x	x	All CM
		G	1535 2C	x	x	■	■	All CM
1C	Fluid Head-Nozzle 0.18 mm	H	1535 1B	■	■	x	x	All CM
	0.23 mm	H	1535 2B	x	x	■	■	All CM
1D	Fluid Head Nozzle Base	J	1535 1A	■	■	■	■	All CM
2	Packing Fluid Head (O-Ring)	C	1580 2	■	■	■	■	All CM
3A	Body*	SB	N/A	x	■	x	x	
3B		C	N/A	x	x	■	x	
3C		B	N/A	■	x	x	x	
3D		C+	N/A	x	x	x	■	
5	Packing Fluid Needle Set (PTFE)	D	1590 2	■	■	■	■	All CM
6	Spring Guide	E	1590 1	■	■	■	■	
7	Needle Chucking Guide	E	1550 1	■	■	■	■	
8	Needle Spring	B	1570 1	■	■	■	■	All CM
9	Needle Spring Adjuster	E	1575 1	■	■	■	■	All CM
10	Fluid Needle 0.18 mm	E	1540 1	■	■	x	x	CM-C (Ver2)
	0.23 mm	E	1540 2	x	x	■	x	CM-C (Ver2) Opt for Original only
	0.23 mm	E	1540 3	x	x	x	■	CM-C+ (Ver2) All CM
11	Needle Chucking Nut	B	1560 1	■	■	■	■	All CM
12A	Pre-Set Handle Set	H	1585 1	■	■	■	opt	
12B	Pre-Set Handle (Single Cut)	H	1585 2	opt	opt	opt	■	
13	Main Lever	F	1545 1	■	■	x	x	
		F	1545 2	x	x	■	■	
14	Air Piston	B	1500 1	■	■	■	■	All CM

#	ITEM DESCRIPTION	PRICE CODE	ITEM #	CM-B	CM-SB	CM-C	CM-C+	ALSO FITS
15	Auxiliary Lever	B	1515 1	■	■	■	■	
16	Packing Air Piston (O-Ring, 2pcs)	B	1580 1	■	■	■	■	All CM
17	Air Valve Set	H	1510 1	■	■	■	■	All CM
17A	Air Valve Body <small>Discontinued</small>	F	1510 2	x	x	x	x	All CM
17B	Air Valve <small>Discontinued</small>	C	1505 1	x	x	x	x	All CM
17C	Air Valve Spring <small>Discontinued</small>	B	1510 4	x	x	x	x	All CM
17D	Air Valve Guide <small>Discontinued</small>	B	1510 3	x	x	x	x	All CM
18	Needle Chucking Guide Screw	B	1555 1	■	■	■	■	
19A	Fluid Cup Lid	E	1530 1	x	x	■	opt	All CM
19B	Fluid Cup Lid	E	1618 1	x	x	opt	■	All CM
20	Blanking Cover	B	1045 2	x	■	x	x	All CM
21	Fluid Cup 1/8 oz	G	1070 3	x	■	x	x	All CM
	1/4 oz	G	1070 4	x	■	x	x	All CM
22	Packing Lower Lid (Gasket)	A	1150 5	x	■	x	x	All CM
23	Lower Lid <small>Discontinued</small> 1/8 oz	B	1095 6	x	x	x	x	All CM
	1/4 oz	C	1095 7	x	■	x	x	All CM
28	Packing Handle (O-Ring)	A	1605 1	x	x	x	■	All CM
29	Micro Air Control Valve	D	1190 1	x	x	x	■	All CM
30	Packing Mac Valve (O-Ring)	A	1190 2	x	x	x	■	All CM
	Spanner (Nozzle Wrench)	B	1165 1	■	■	■	■	All CM
	Quick Fit Set (QD and Adaptor)	H	1160 3	opt	opt	opt	opt	All CM
	Quick Fit Adaptor (Adaptor Only)	C	1160 4	opt	opt	opt	opt	All CM
	Adaptor (Iwata Airbrushes to Pasche Airhose)		J001	opt	opt	opt	opt	All CM
	Adaptor (Iwata Airbrushes to T & C/Badger Airhoses)		J002	opt	opt	opt	opt	All CM

**CA PROP 65 CALIFORNIA PROP 65 WARNING:** Certain products identified with this symbol and offered for sale in this catalog contain lead, a chemical known to the State of California to cause cancer, birth defects and other reproductive harm.  
Up dated 01/2024

■ = yes X = no opt = optional  
\*Replacement parts not available.

Available from:

*Dixie Art Airbrush* • [www.dixieart.com](http://www.dixieart.com) • 800.783-2612 • 504-466-6556