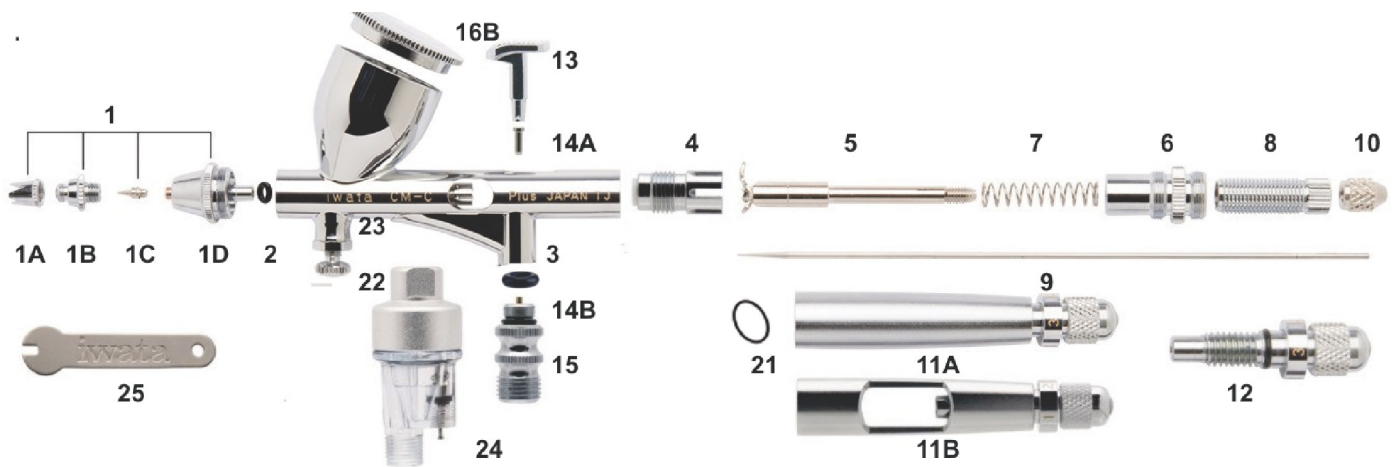


**CUSTOM MICRON CM-C Plus**  
Current Series (Version 2)  
**Gravity Feed Dual Action Airbrush #ICM4502**

**Illustrated Parts Listing**



**PARTS PICTURED**

No	Part No.	Description	No	Part No.	Description
1	i5352	Head System 0.23mm (C2)	11B	i5855	Handle (Preset/Single Cut)
1A	i5351D	Head Needle Crown Cap	12	i5861	Handle Crown Cap Dock (preset)
1D	i5352C	Head Nozzle Cap 0.23mm (C2)	13	i5454	Main Lever
1C	i5352B	Head Nozzle 0.23mm (C2)	14A	i5001	Valve Piston
1D	i5351A	Head Nozzle Base	14B	i5801	Valve Piston Packing (washer)
2	i5802	Head Packing (washer)	15	i5101	Air Valve Set
3	---	Body CM-C Plus	16B	i6181	Cup Lid Gravity 0.24 oz/7 ml
4	i5902	Needle Packing Screw (PTFE)	21	i6051	Handle O Ring
5	i1157	Needle Chucking Guide	22	i1901	MAC Valve Set
6	i5903	Spring Guide	23	i1902	MAC Valve Packing
7	i5701	Needle Spring	24	FA450	Pistol-Grip Filter
8	i5751	Needle Spring Adjuster	25	i1651	Spanner (nozzle wrench)
9	i5403	Head Needle 0.23mm (C2)			Optional
10	i5601	Needle Chucking Nut	11A	i5854	Handle (Preset/Single Cut)
			16A	i5301	Cup Lid w/Cut Out 0.24 oz/7 ml

See next Page for schematic

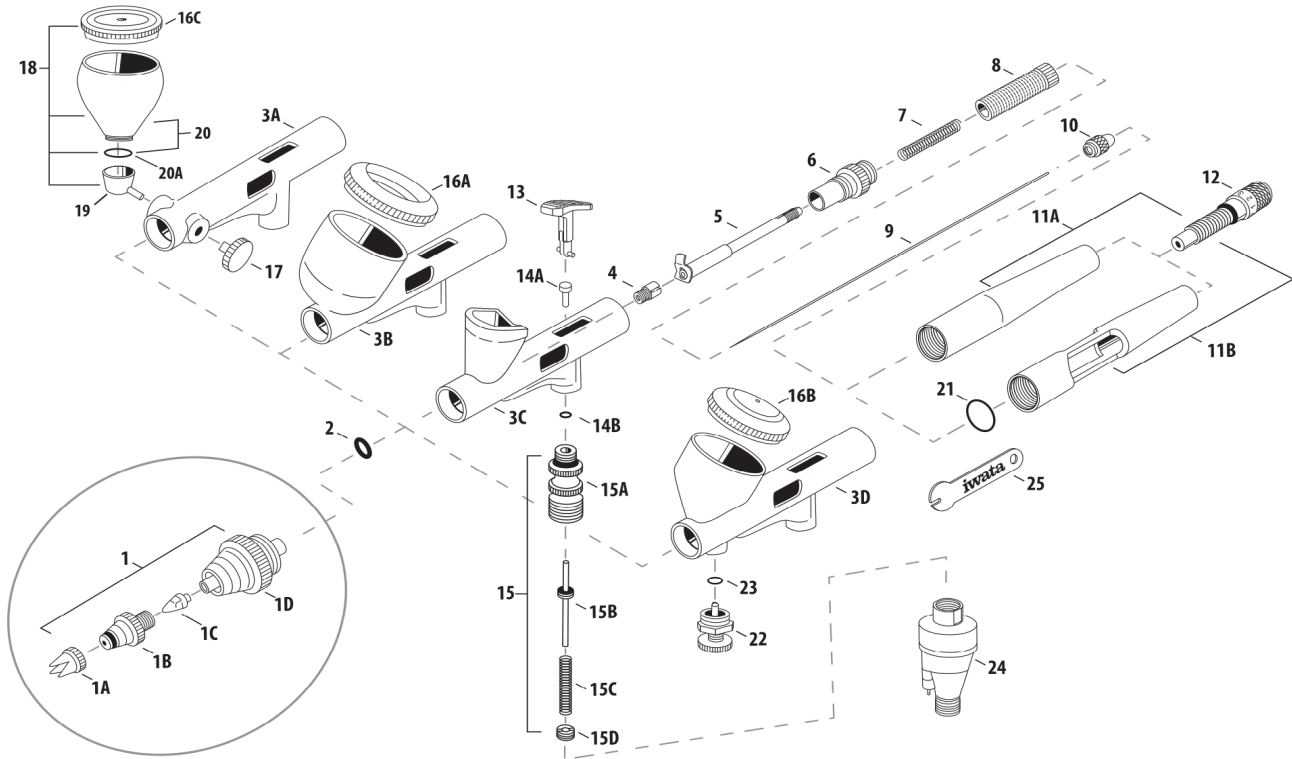
Available from:

*Dixie Art Airbrush*

[www.dixieart.com](http://www.dixieart.com)

800.783-2612 • 504.466.7609

# IWATA CUSTOM MICRON AIRBRUSH SERIES (VERSION 2)



## IWATA CUSTOM MICRON AIRBRUSH SERIES (VERSION 2) REPLACEMENT PARTS

#	ITEM DESCRIPTION	PRICE CODE	ITEM #	CM-B	TAKUMI	CM-C	CM-C+
1	Head System	C1	L I5351	■	■	x	x
		C2	L I5352	x	x	■	■
1A	Head Needle Crown Cap	D	I5351D	■	■	■	■
1B	Head Nozzle Cap	C1	G I5351C	■	■	x	x
		C2	G I5352C	x	x	■	■
1C	Head Nozzle	C1	H I5351B	■	■	x	x
		C2	H I5352B	x	x	■	■
1D	Head Nozzle Base	J	I5351A	■	■	■	■
2	Head Packing	C	I5802	■	■	■	■
3A	Takumi Body*	-	-	x	■	x	x
3B	CM-C Body*	-	-	x	x	■	x
3C	CM-B Body*	-	-	■	x	x	x
3D	CM-C Plus Body*	-	-	x	x	x	■
4	Needle Packing Screw (PTFE)	D	I5902	■	■	■	■
5	Needle Chucking Guide	C	I1157	■	■	■	■
6	Spring Guide	C	I5903	■	■	■	■
7	Needle Spring	B	I5701	■	■	■	■
8	Needle Spring Adjuster	E	I5751	■	■	■	■
9	Head Needle	C1	E I5404	■	x	x	x
		C1	E I5406	x	■	x	x
		C2	E I5402	x	x	■	x
		C2	E I5403	x	x	x	■
10	Needle Chucking Nut	B	I5601	■	■	■	■
11A	Handle (Preset)	H	I5854	■	OPT	■	OPT
11B	Handle (Preset/Single Cut)	H	I5855	OPT	■	OPT	■
12	Handle Crown Cap Dock (Preset)	E	I5861	■	■	■	■

#	ITEM DESCRIPTION	PRICE CODE	ITEM #	CM-B	TAKUMI	CM-C	CM-C+
13	Main Lever	D	I5454	■	■	■	■
14A	Valve Piston	B	I5001	■	■	■	■
14B	Valve Piston Packing	B	I5801	■	■	■	■
15	Air Valve Set	H	I5101	■	■	■	■
15A	Air Valve Body	-	-	■	■	■	■
15B	Air Valve	-	-	■	■	■	■
15C	Air Valve Spring	-	-	■	■	■	■
15D	Air Valve Guide	-	-	■	■	■	■
16A	Cup Lid	0.24 oz / 7 ml	E I5301	x	x	■	OPT
16B	Cup Lid (Gravity)	0.24 oz / 7 ml	E I6181	x	x	OPT	■
16C	Cup Lid (Siphon Cut)	0.24 oz / 7 ml	C I6187	x	■	x	x
17	Blanking Cover	A	I0452	x	■	x	x
18	Cup Assembly	0.24 oz / 7 ml	H I0710	x	■	x	x
19	Cup Adapter (Side-Gravity)	D	I0700	x	■	x	x
20	Cup (Gravity)	0.24 oz / 7 ml	D N0702	x	■	x	x
20A	Cup (Gravity) O-ring	0.24 oz / 7 ml	A N0713	x	■	x	x
21	Handle O-Ring	A	I6051	x	■	x	■
22	MAC Valve Set	D	I1901	x	x	x	■
23	MAC Valve Packing	A	I1902	x	x	x	■
24	Pistol-Grip Filter	-	FA450	■	■	■	■
25	Spanner	B	I1651	■	■	■	■
	QuickFit Quick Disconnect Set	H	I1603	OPT	OPT	OPT	OPT
	QuickFit Quick Disconnect Airbrush Adaptor	C	I1604	OPT	OPT	OPT	OPT
	Airbrush Adapter for Paasche Air Hose	-	J001	OPT	OPT	OPT	OPT
	Airbrush Adapter for T&C/Badger Air Hoses	-	J002	OPT	OPT	OPT	OPT

■ = yes X = no OPT = optional  
\*Replacement parts not available.

Available from:

*Dixie Art Airbrush* • [www.dixieart.com](http://www.dixieart.com) • 800.783-2612 • 504-466-6556