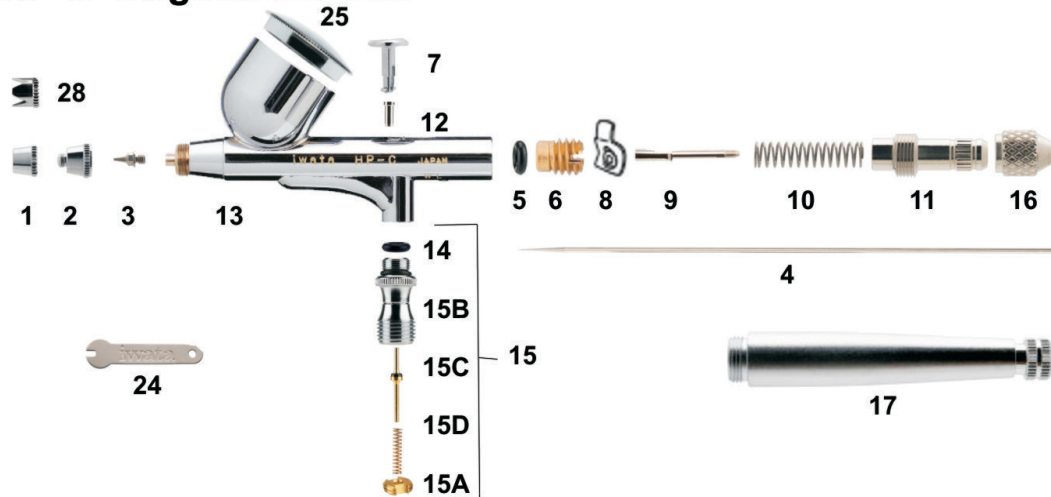


IWATA HIGH PERFORMANCE HP-C
 Gravity Feed Dual Action Airbrush 0.3 mm

HP-C Original Version



Illustrated Parts Listing

Item #	Part No.	Description
1	i 1102	Needle Cap 0.3mm
2	i 1403	Head Cap 0.3mm
3	i 0803	Nozzle 0.3mm
4	i 0753	Needle 0.3mm
5	i 1502	Packing Fluid Needle (O-ring)
6	i 1251	Needle Packing Screw
7	i 1002	Main Lever (Trigger)
8	i 0404	Auxiliary Lever
9	i 1152	Needle Chucking Guide
10	i 1353	Needle Spring
11	i 1702	Needle Spring Guide
12	i 1751	Valve Piston (for Trigger)
13	N/A	Body C Original Style
14	i 1451	Packing - Air Valve (o-ring)
15	i 0304	Air Valve Set
15A	i 0251	Air Valve Guide

Item #	Part No.	Description
15B	i 0201	Air Valve Body Only
15D	i 0351	Air Valve Spring
16	i 1202	Needle Chucking Nut
18	i 0902	Handle
24	i 1651	Spanner (Wrench)
25	i 0954	Lid

Optional

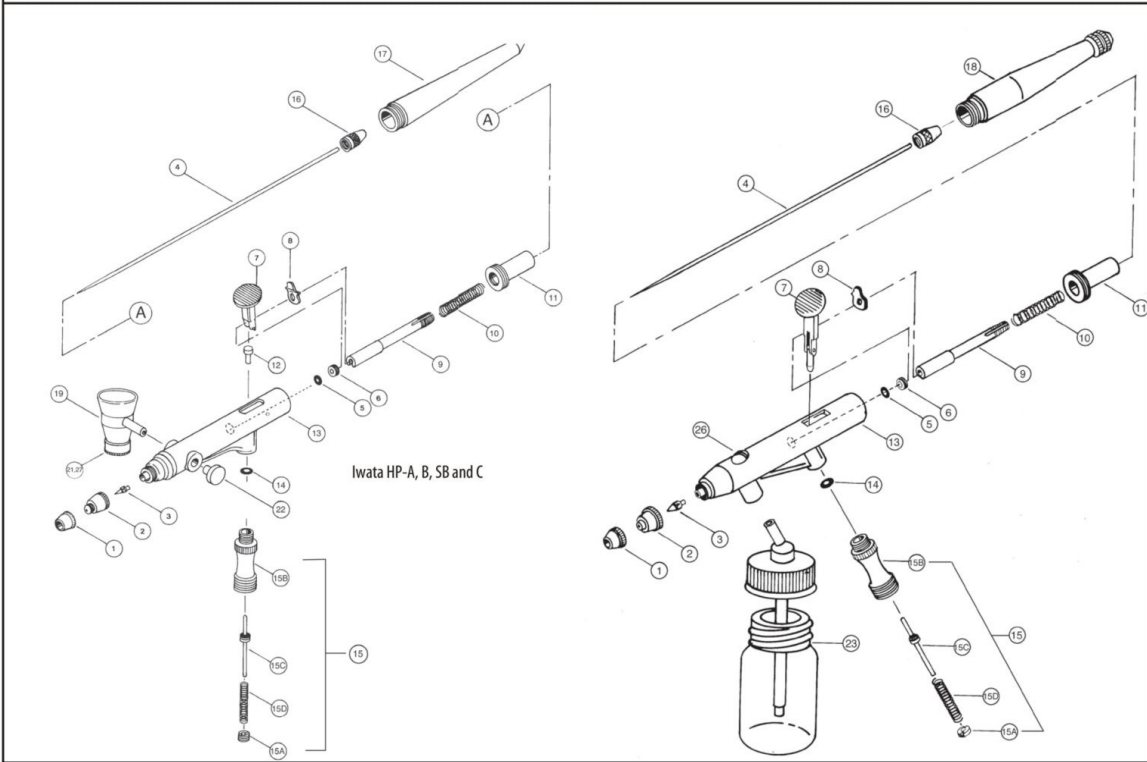
2	i 1404	Head Cap 0.4mm
3	i 0804	Nozzle 0.4mm
4	i 0754	Needle 0.4mm
18	i 1552	Pre-Set Handle
28	i 1050	Needle Crown Cap

Needle Cap, Head Cap and Needle need to match Nozzle size for Optima Performance

See next Page for schematic

Available from: *Dixie Art Airbrush* • www.dixieart.com • 800/783-2612

IWATA HIGH PERFORMANCE SERIES - A, B, SB, C, BC, BC2



#	ITEM DESCRIPTION	PRICE CODE	ITEM #	HP A	HP B	HP SB	HP C	HP BC	HP BC2
1	Needle Cap	B	I 110 1	■	■	■	x	x	x
		B	I 110 2	x	x	x	■	■	■
2	Nozzle Cap DISC NOW I1401	0.2 mm	D I 140 1	■	x	x	x	x	x
		0.2 mm	D I 140 2	x	■	■	x	x	x
		0.3 mm	D I 140 3	x	x	x	■	■	opt
		0.4 mm	D I 140 4	x	x	x	opt	opt	■
3	Fluid Nozzle DISC NOW I0801	0.2 mm	G I 080 1	■	x	x	x	x	x
		0.2 mm	G I 080 2	x	■	■	x	x	x
		0.3 mm	G I 080 3	x	x	x	■	■	opt
		0.4 mm	G I 080 4	x	x	x	opt	opt	■
DISC NOW I0801	0.2 mm	G I 085 2	x	x	x	opt	opt	opt	
	DISC NOW I0803	0.3 mm	G I 085 3	opt	opt	opt	x	x	x
4	Fluid Needle DISC NOW I0751	0.2 mm	C I 075 1	■	x	x	x	x	x
		0.2 mm	C I 075 2	x	■	■	x	x	x
		0.3 mm	C I 075 3	x	x	x	■	■	opt
		0.4 mm	C I 075 4	x	x	x	opt	opt	■
5	Packing Fluid Needle (O-Ring)	A	I 150 1	■	■	■	x	x	x
		A	I 150 2	x	x	x	■	■	■
6	Needle Packing Screw	A	I 125 1	■	■	■	■	■	■
7	Main Lever	D	I 100 1	■	■	■	x	x	x
		D	I 100 2	x	x	x	■	■	x
	Main Lever/Piston	G	I 100 3	x	x	x	x	■	■
8	Auxiliary Lever	A	I 040 1	■	■	■	x	x	x
		A	I 040 4	x	x	x	■	x	x
		A	I 040 5	x	x	x	x	■	■
9	Needle Chucking Guide	C	I 115 1	■	■	■	x	x	x
		C	I 115 2	x	x	x	■	■	■
10	Needle Spring	A	I 135 2	■	■	■	x	x	x
		A	I 135 3	x	x	x	■	■	■
11	Spring Guide	C	I 170 1	■	■	■	x	x	x
		C	I 170 2	x	x	x	■	■	■
12	Valve Piston	65	A I 175 1	■	■	■	x	x	
13	Body*	N/A		■	x	x	x	x	x
		N/A		x	■	x	x	x	x
		N/A		x	x	■	x	x	x
		N/A		x	x	x	■	x	x
14	Packing Air Piston (O-Ring)	A	I 145 1	■	■	■	■	■	

#	ITEM DESCRIPTION	PRICE CODE	ITEM #	HP A	HP B	HP SB	HP C	HP BC	HP BC2
15	Air Valve Set	65	G I 030 1	■	■	■	x	x	x
		65	G I 030 4	x	x	x	■	■	■
15A	Air Valve Guide	65	A I 025 1	■	■	■	■	■	
15B	Air Valve Body	D	I 020 1	■	■	■	■	■	
15C	Air Valve	65	B I 015 1	■	■	■	x	x	x
		DISCONTINUE	B I 015 4	x	x	x	■	■	■
15D	Air Valve Spring	A	I 035 1	■	■	■	■	■	
16	Needle Chucking Nut DSC NOW I1202	A	I 120 1	■	■	■	x	x	x
		A	I 120 2	x	x	x	■	■	■
17	Handle DISC NOW I1551	E	I 090 1	■	■	■	x	x	x
		E	I 090 2	x	x	x	■	x	x
18	Pre-Set Handle	G	I 155 1	opt	opt	opt	x	x	x
		G	I 155 2	x	x	x	opt	opt	opt
26	Blanking Screw	B	I 045 1	x	x	x	x	■	
22	Blanking Cover	A	I 045 2	x	x	■	x	x	
23	Glass Bottles DISCONTINUED	3/4 oz	G I 405 2	x	x	x	x	■	■
		1/2 oz	G I 420 2	x	x	x	x	opt	opt
	Spanner	A	I 165 1	■	■	■	■	■	
	Conversion Kit (Converts 0.3 mm HP- C and HP- BC to 0.4 mm Size Nozzle - 4 Piece Conversion)	DISC	I I 95 1	x	x	x	■	■	x
	Crown Cap	D	I 105 0	opt	opt	opt	opt	opt	
	Quick Fit Set (QD Screws Onto Airhose and Adaptor Screws Onto Airbrush)		I 160 3	opt	opt	opt	opt	opt	
	Quick Fit Adaptor (Adaptor Screws Onto Airbrush)		I 160 4	opt	opt	opt	opt	opt	
	Adaptor (Iwata Airbrushes to Paasche Air Hose)		J 001	opt	opt	opt	opt	opt	
	Adaptor (Iwata Airbrushes to T & C/Badger Air Hoses)		J 002	opt	opt	opt	opt	opt	
	Fluid Cup								
	Side Cup 1/8 oz	G	I 070 3	x	x	■	x	x	
	Side Cup w/Lid 1/4 oz	G	I 070 4	x	x	opt	x	x	
	Gravity Cup w/Lid 1/2 oz		I 070 6	x	x	opt	x	x	
25	Lid	C	I 095 4	x	x	x	■	x	
		C	I 095 7	x	x	■	x	x	
21	Lid Cover 1/8, 1/4 oz	NOW	B I 095 6	x	x	■	x	x	
27	Packing Lower Lid (Gasket)	A	I 150 5	x	x	■	x	x	

CALIFORNIA PROP 65 WARNING: Certain products identified with this symbol and offered for sale in this catalog contain lead, a chemical known to the State of California to cause cancer, birth defects and other reproductive harm.

■ = yes x = no opt = optional
*Replacement parts not available.