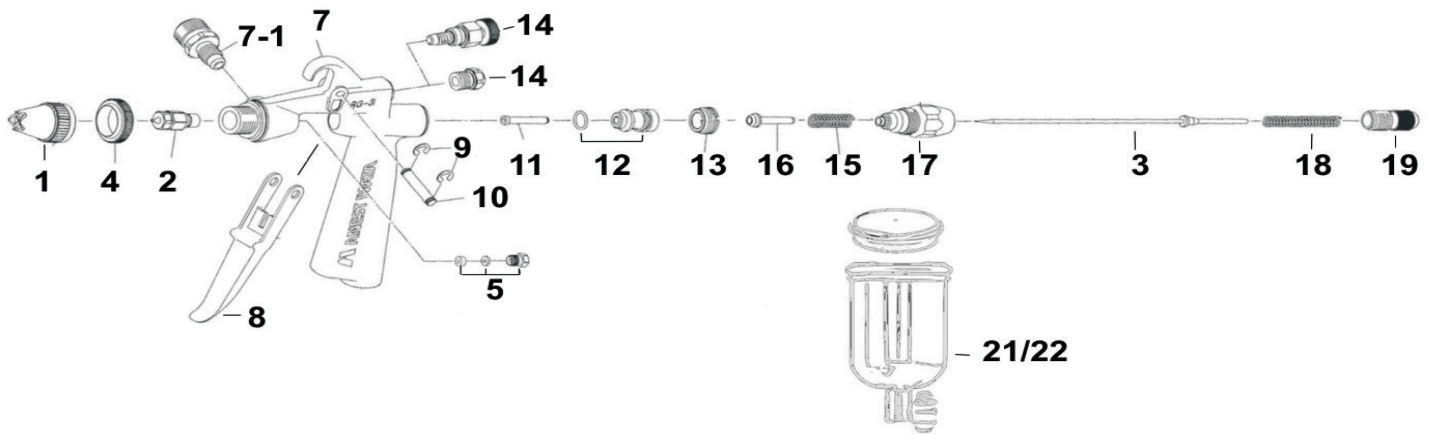


# Anest Iwata Spray Guns

## TOTAL CONTROL

ANEST IWATA  
RG-3L Side Feed Round Pattern Spray Gun 0.6mm

### RG-3



### Illustrated Parts Listing

Item #	Part No.	Description
1	I 2017	Air Cap 0.6mm
2	I 2162	Fluid Nozzle 0.6mm
3	I 2145	Fluid Needle 0.6mm
4	I 2181	Jam Nut
5	I 2152	Needle Packing Set
7	N/A	Body RG3L
7-1	I 2122	Fluid Cup Joint
7-2	I 6801	Air Nipple
8	I 2331	Trigger
9/10	I 3321	E Stopper 2pc/pk w/Trigger Stud
11	I 2023	Air Valve Shaft
12	I 2052	Air Valve Seat Set
12-1	I 6601	Air Valve Gasket
13	I 2053	Air Valve Seat Screw
14	I 2074	Blanking Screw
15	I 2062	Air Valve Spring
16	I 2022	Air Valve
17	I 2082	Fluid Adjustment Guide Set
18	I 2252	Needle Spring
19	I 2091	Fluid Adjustment Knob
21	I 2101	Fluid Cup 130ml (PC61)
22	I 2111	Fluid Cup Lid 130ml (PC61)

Item#	Part No.	Description
N/S	I 2302	Spanner

#### OPTIONAL

To change to 0.4mm Spraying replace with

1	I 2016	Air Cap 0.4mm
2	I 2161	Fluid Nozzle 0.4mm
3	I 2144	Fluid Needle 0.4mm

To change to 1.00mm Spraying replace with

1	I 2018	Air Cap 1.0mm
2	I 2163	Fluid Nozzle 1.0mm
3	I 2146	Fluid Needle 1.0mm

To Change to Fan Pattern replace Air Cap with

1	I 2019	Fan Pattern Air Cap 0.6mm
---	--------	---------------------------

21	I 2102	Fluid Cup 220ml (PC51)
21	I 2103	Fluid Cup 250ml (PC5)
22	I 2112	Fluid Cup Lid 220ml (PC51)
22	I 2113	Fluid Cup Lid 250ml (PC5)
N/S	I 2401	Repair Kit

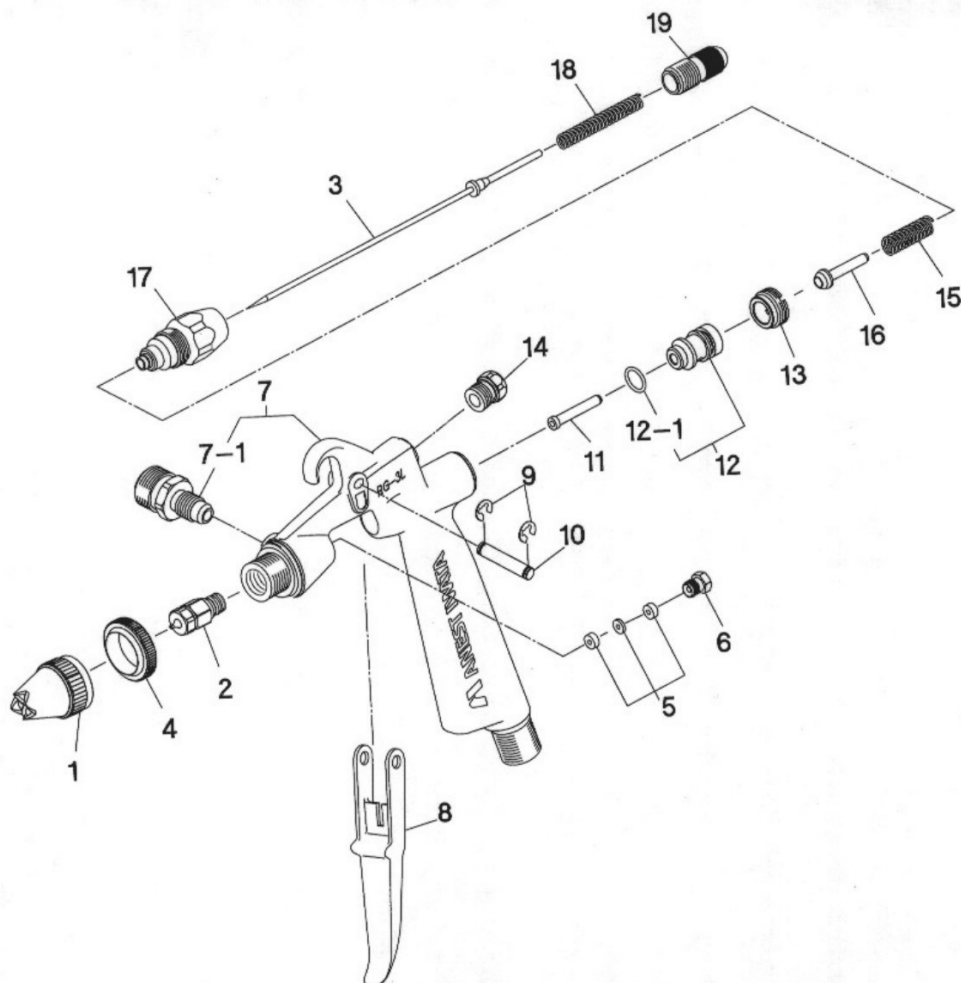
#### NOTE:

When changing Air Cap, Nozzle and Needle match Size for Optimum Performance.

See next Page for schematic


Available from: *Dixie Art Airbrush* • [www.dixieart.com](http://www.dixieart.com) • 800.783-2612

# ANEST IWATA RG-3 SPRAY GUN



#	ITEM DESCRIPTION	PRICE CODE	ITEM #	RG-3	LPH-50	G6
1	Air Cap	0.4 mm	G 12016	opt	x	x
		0.6 mm	G 12017	■	x	x
		1.0 mm	G 12018	opt	x	x
		(Fan Pattern) 0.6 mm	G 12019	opt	x	x
4	Jam Nut	D 12181	■	■	■	
5	Fluid Needle Packing	D 12152	■	■	■	
6	Needle Packing Seat	Now i 2152	A 1-219-2	■	■	■
7	Body	N 12073	■	x	x	
7-1	Fluid Cup Joint	D 12122	■	■	■	
8	Trigger	C 12331	■	■	■	
9	Stopper-Trigger Stud	Now i 3321	A +232-2	x	■	x
10	Trigger Stud	Now i 3321	A +234-1	■	■	■
11	Air Valve Shaft	C 12023	■	■	■	
12	Air Valve Seat Set	F 12052	■	■	■	
3	Fluid Needle	0.4 mm	F 12144	opt	x	x
		0.6 mm	F 12145	■	x	x
		1.0 mm	F 12146	opt	x	x
12-1	Gasket Air Valve Seat	Now i 6601	A +247-1	■	■	■

#	ITEM DESCRIPTION	PRICE CODE	ITEM #	RG-3	LPH-50	G6	
2	Fluid Nozzle		0.4 mm	G 12161	opt	x	x
			0.6 mm	G 12162	■	x	x
			1.0 mm	G 12163	opt	x	x
13	Air Valve Seat Screw	A 12053	■	■	■		
14	Blanking Screw	C 12074	■	x	x		
15	Air Valve Spring	A 12062	■	■	■		
16	Air Valve	C 12022	■	■	■		
17	Fluid Adjust Guide Set	F 12082	■	■	■		
18	Needle Spring	B 12252	■	■	■		
19	Fluid Adjusting Knob	C 12092	■	x	■		
	Spanner	D 12302	■	x	x		
	Fluid Cup	4 oz (PC-61)	I 12101	■	■	opt	
		7 oz (PC-51)	I 12102	opt	opt	opt	
		8 oz (PC-5 )	I 12103	opt	opt	opt	
	Fluid Cup Lid	(PC-61)	D 12111	■	■	opt	
		(PC-51)	D 12112	opt	opt	opt	
		(PC-5 )	D 12113	opt	opt	opt	
	RG3 Repair Kit (5, 9 and 12-1)	I 12401	■	x	x		

 **CALIFORNIA PROP 65 WARNING:** Certain products identified with this symbol and offered for sale in this catalog contain lead, a chemical known to the State of California to cause cancer, birth defects and other reproductive harm.

■ = yes X = no opt = optional