

Revolution

EFFORTLESS COVERAGE™

IWATA REVOLUTION HP-AR

Gravity Feed Dual Action Airbrush #R1500

Illustrated Parts Listing



PARTS PICTURED

Part No.	Description	Part No.	Description
i 7012	Needle Cap 0.3MM (R3)	i 1351	Needle Spring
i 7022	Head Cap 0.3MM (R3)	i 7701	Needle Spring Guide
i 7042	Nozzle 0.3mm (R3)	i 1202	Needle Chucking Nut
i 6121	Main Lever (Trigger)	i 7173	Needle 0.3mm (R3)
i 1157	Needle Chucking Guide W/aux. Lever	i 7191	Handle (Ergonomic)

PARTS NOT PICTURED

Part No.	Description	Part No.	Description
i 1257	Needle Packing Screw W/O-ring 0.3mm (R3)	i 6091	Air Valve Piston
i 5801	Packing - Air Valve (O-ring)	i 1552	Handle (Pre-Set) (Opt)
i 0351	Air Valve Spring	i 1556	Handle (Pre-Set Cutaway) (Opt)
i 6081	Air Valve Guide Body	i 7651	Spanner (Wrench)
i 7111	Air Valve Guide Screw	(Opt)	Optional

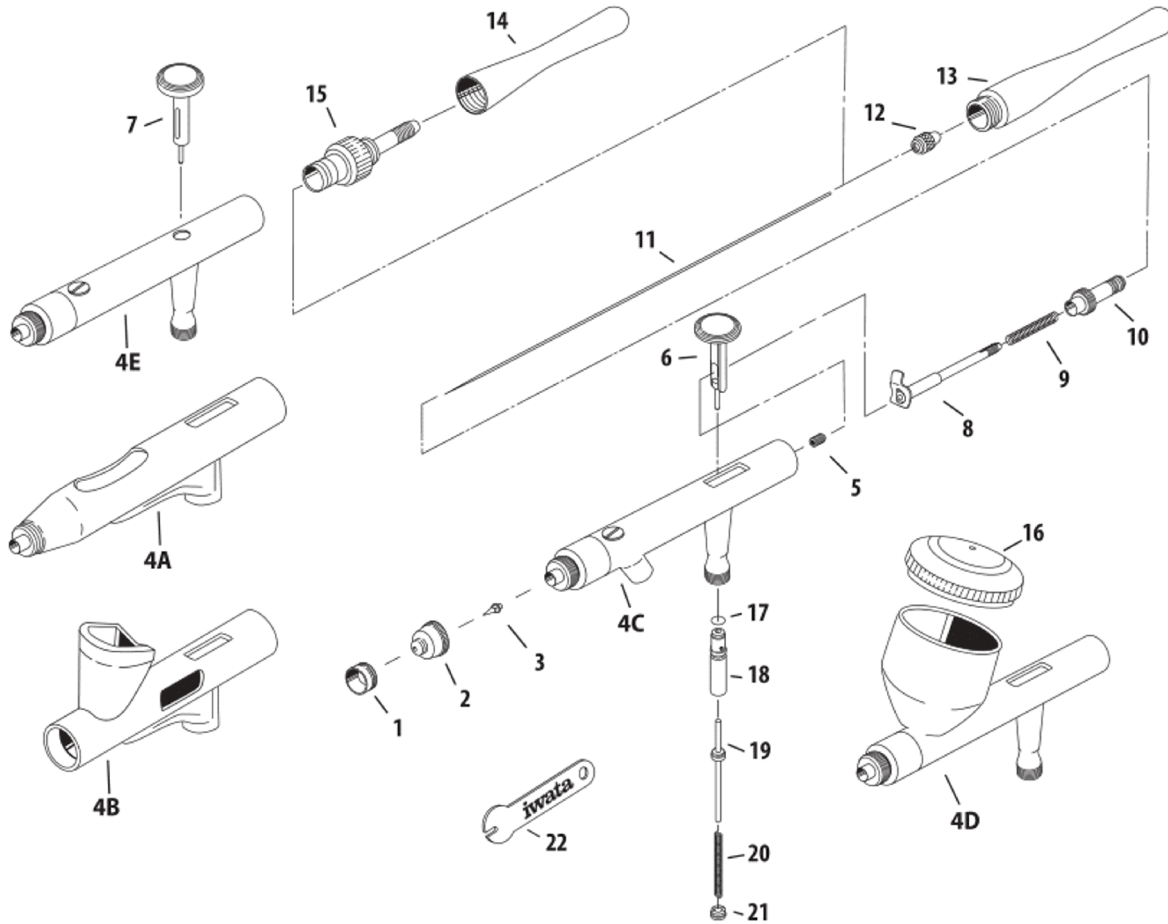
See next Page for schematic

Available from: *Dixie Art Airbrush* • www.dixieart.com • 800.783-2612

**EFFORTLESS
COVERAGE**
手頃で手軽

IWATA REVOLUTION AIRBRUSH SERIES

HP-AR / HP-BR / HP-BCR / HP-CR / HP-CR3 / HP-SAR



— IWATA REVOLUTION SERIES AIRBRUSHES —

#	ITEM DESCRIPTION	PRICE CODE	ITEM #	HP-AR	HP-BR	HP-BCR	HP-CR	HP-CR3	HP-SAR
1	Needle Cap	R3	A 17012	■	■	OPT	OPT	■	OPT
		R5	A 17011	OPT	OPT	■	■	OPT	■
2	Nozzle Cap	R3	C 17022	■	■	OPT	OPT	■	OPT
		R5	C 17021	OPT	OPT	■	■	OPT	■
3	Nozzle	R3	E 17042	■	■	OPT	OPT	■	OPT
		R5	E 17041	OPT	OPT	■	■	OPT	■
4A	HP-AR Body*	-	-	■	x	x	x	x	x
4B	HP-BR Body*	-	-	x	■	x	x	x	x
4C	HP-BCR Body*	-	-	x	x	■	x	x	x
4D	HP-CR / HP-CR3 Body*	-	-	x	x	x	■	■	x
4E	HP-SAR Body*	-	-	x	x	x	x	x	■
5	Needle Packing Screw Set (PTFE)	R3	B 11257	■	■	OPT	OPT	■	OPT
		R5	B 17251	OPT	OPT	■	■	OPT	■
6	Main Lever	C	I6121	■	■	■	■	■	x
7	Main Lever	C	I6122	x	x	x	x	x	■
8	Needle Chucking Guide w/Aux Lever	C	I1157	■	■	■	■	■	x

#	ITEM DESCRIPTION	PRICE CODE	ITEM #	HP-AR	HP-BR	HP-BCR	HP-CR	HP-CR3	HP-SAR
9	Needle Spring	A	I1351	■	■	■	■	■	x
10	Spring Guide	A	I7701	■	■	■	■	■	x
11	Needle	R5	B 17171	OPT	OPT	■	■	OPT	■
		R3	B 17173	■	■	OPT	OPT	■	OPT
12	Needle Chucking Nut	A	I1202	■	■	■	■	■	■
13	Ergonomic Handle	D	I7191	■	■	■	■	■	x
	Preset Handle	D	I1552	OPT	OPT	OPT	OPT	OPT	x
	Preset Cutaway Handle	D	I1556	OPT	OPT	OPT	OPT	OPT	x
14	Ergonomic Handle		I7192	x	x	x	x	x	■
15	Fluid Adjustment Knob	D	I7221	x	x	x	x	x	■
16	Lid	C	I7181	x	x	x	■	■	x
17	Air Valve O-ring	B	I5801	■	■	■	■	■	■
18	Valve Guide Body	B	I6081	■	■	■	■	■	■
19	Air Valve	A	I6091	■	■	■	■	■	■
20	Air Valve Spring	A	I0351	■	■	■	■	■	■
21	Air Valve Guide Screw	B	I7111	■	■	■	■	■	■
22	Spanner	A	I7651	■	■	■	■	■	■

■ = yes X = no opt = optional
*Replacement parts not available.

Available from: *Dixie Art Airbrush* • www.dixieart.com • 800.783-2612