

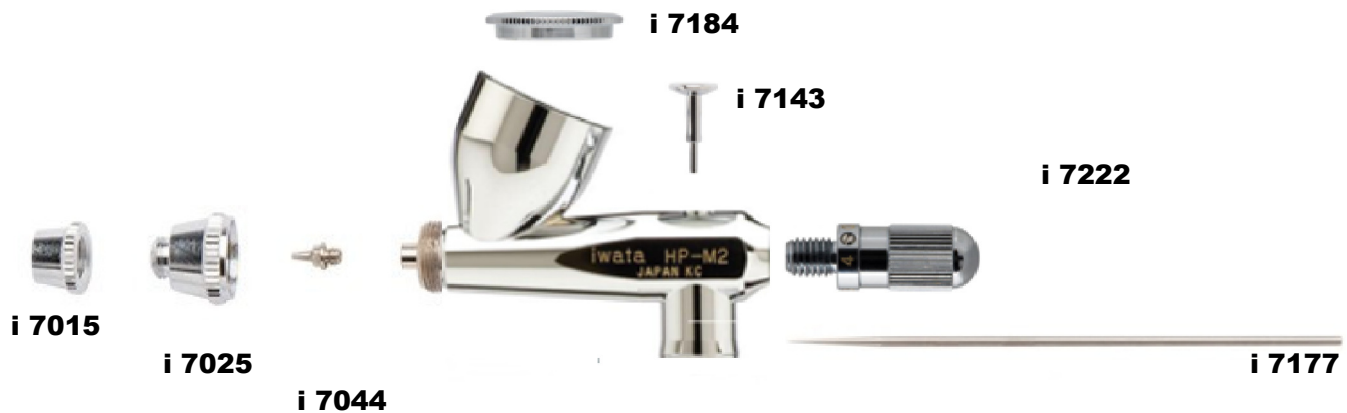
Revolution

EFFORTLESS COVERAGE™

IWATA REVOLUTION HP-M2

Gravity Feed Single Action Airbrush #R1060

Illustrated Parts Listing



PARTS PICTURED

Part No.	Description	Part No.	Description
i 7015	Needle Cap 0.4MM (M4)	i 7222	Fluid Adjustment Valve
i 7025	Head Cap 0.4MM (M4)	i 7184	Lid
i 7045	Nozzle 0.4mm (M4)	i 7177	Needle 0.4mm (M3)
i 7143	Main Lever (Trigger)		

PARTS NOT PICTURED

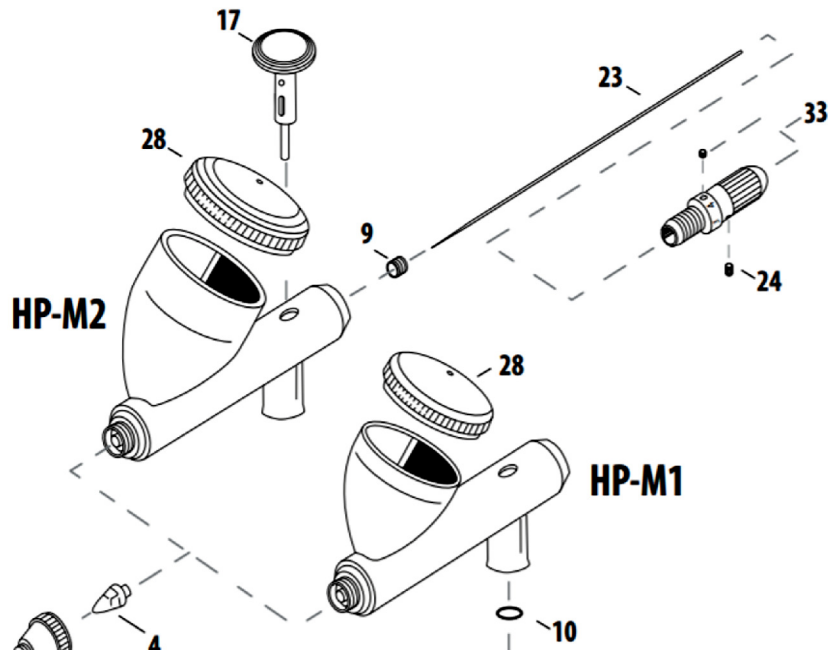
Part No.	Description	Part No.	Description
i 7251	Needle Packing Screw W/O-ring	i 7153	Needle Chucking Nut
i 1451	Packing - Air Valve (O-ring)	i 7651	Spanner (Wrench)
i 7122	Air Valve Set		

See next Page for schematic

Available from: *Dixie Art Airbrush* • www.dixieart.com • 800.783-2612

EFFORTLESS
COVERAGE
手順で手軽

IWATA REVOLUTION AIRBRUSH SERIES
M SERIES HP-M1 / HP-M2



EFFORTLESS
COVERAGE
手順で手軽

IWATA REVOLUTION AIRBRUSH SERIES
M SERIES HP-M1 / HP-M2

#	ITEM DESCRIPTION	PRICE CODE	ITEM #	HP-M1	HP-M2
1	Needle Cap	0.3	A 17014	■	x
		0.4	A 17015	x	■
2	Nozzle Cap	0.3	C 17024	■	x
		0.4	C 17025	x	■
4	Nozzle	0.3	E 17044	■	x
		0.4	E 17045	x	■
9	Needle Packing Screw Set(PTFE)	B	17251	■	■
10	Air Valve O-ring	A	11451	■	■
12	Air Valve Set	F	17122	■	■

#	ITEM DESCRIPTION	PRICE CODE	ITEM #	HP-M1	HP-M2
17	Main Lever	C	17143	■	■
23	Needle	0.3	E 17176	■	x
		0.4	E 17177	x	■
24	Needle Chucking nut	A	17153	■	■
28	Lid	C	17183	■	x
		C	17184	x	■
33	Fluid Adjustmet Valve	F	17222	■	■
32	Spanner	A	17651	■	■

■ = yes X = no opt = optional

Available from: *Dixie Art Airbrush* • www.dixieart.com • 800.783-2612