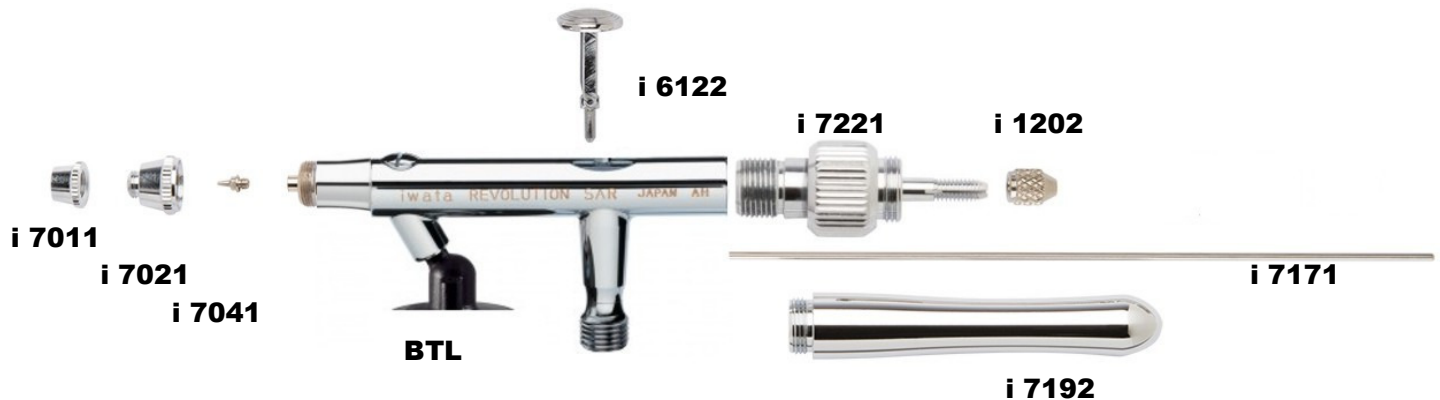


# Revolution

EFFORTLESS COVERAGE™

IWATA REVOLUTION HP-SAR  
Siphon Feed Single Action Airbrush #R1000

## Illustrated Parts Listing



### PARTS PICTURED

Part No.	Description	Part No.	Description
i 7011	Needle Cap 0.5MM (R5)	i 1202	Needle Chucking Nut
i 7021	Head Cap 0.5MM (R5)	i 7171	Needle 0.5mm (R5)
i 7041	Nozzle 0.5mm (R5)	i 7192	Handle (Ergonomic)
i 6122	Main Lever (Trigger)	BTL	Iwata Bottle Assemblies
i 7221	Fluid Adjusting Knob		

### PARTS NOT PICTURED

Part No.	Description	Part No.	Description
i 7251	Needle Packing Screw W/O-ring 0.5MM (R5)	i 7111	Air Valve Guide Screw
i 5801	Packing - Air Valve (O-ring)	i 6091	Air Valve Piston
i 0351	Air Valve Spring	i 7651	Spanner (Wrench)
i 6081	Air Valve Guide Body	(Opt)	Optional

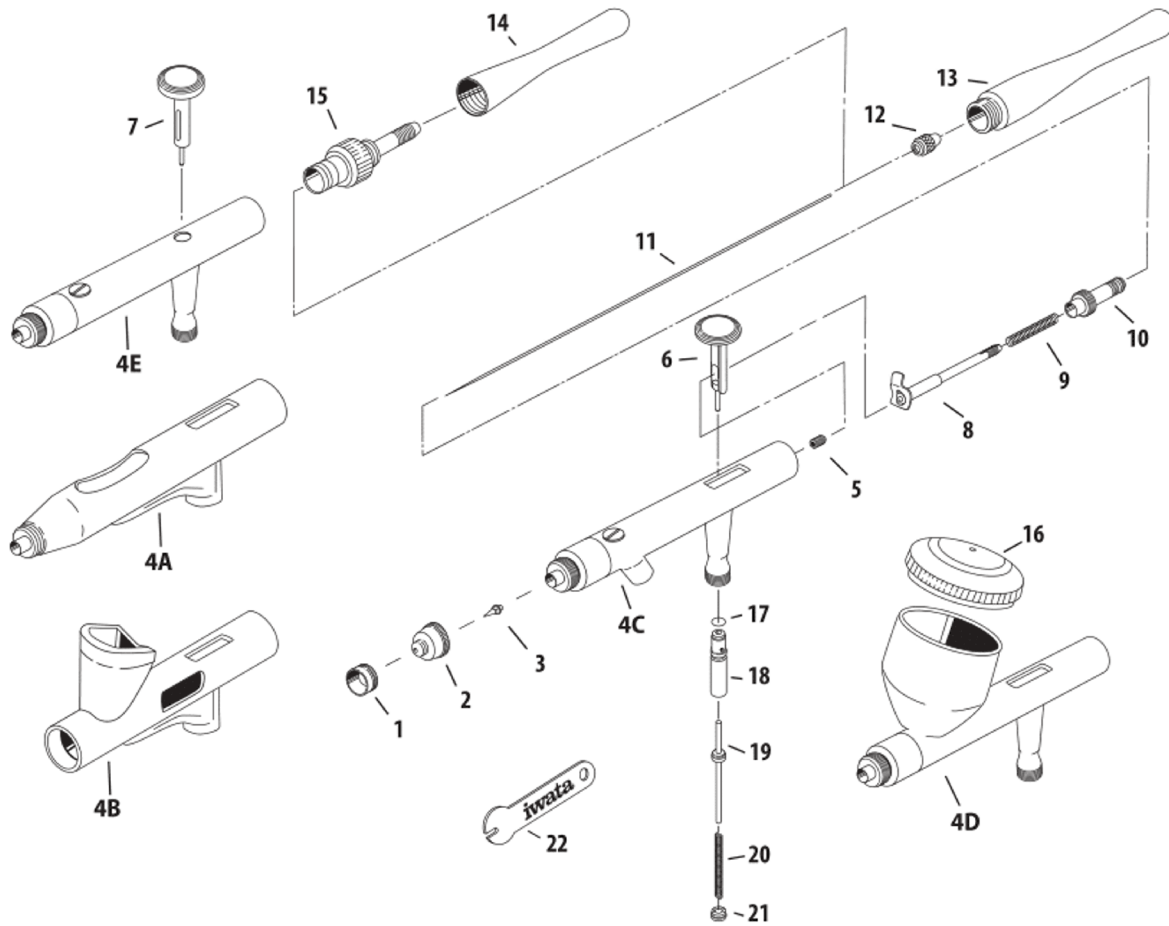
See next Page for schematic

Available from: *Dixie Art Airbrush* • [www.dixieart.com](http://www.dixieart.com) • 800.783-2612

**EFFORTLESS  
COVERAGE™**  
手頃で手軽

# IWATA REVOLUTION AIRBRUSH SERIES

HP-AR / HP-BR / HP-BCR / HP-CR / HP-CR3 / HP-SAR



— IWATA REVOLUTION SERIES AIRBRUSHES —

#	ITEM DESCRIPTION	PRICE CODE	ITEM #	HP-AR	HP-BR	HP-BCR	HP-CR	HP-CR3	HP-SAR
1	Needle Cap	R3	A 17012	■	■	OPT	OPT	■	OPT
		R5	A 17011	OPT	OPT	■	■	OPT	■
2	Nozzle Cap	R3	C 17022	■	■	OPT	OPT	■	OPT
		R5	C 17021	OPT	OPT	■	■	OPT	■
3	Nozzle	R3	E 17042	■	■	OPT	OPT	■	OPT
		R5	E 17041	OPT	OPT	■	■	OPT	■
4A	HP-AR Body*	-	-	■	x	x	x	x	x
4B	HP-BR Body*	-	-	x	■	x	x	x	x
4C	HP-BCR Body*	-	-	x	x	■	x	x	x
4D	HP-CR / HP-CR3 Body*	-	-	x	x	x	■	■	x
4E	HP-SAR Body*	-	-	x	x	x	x	x	■
5	Needle Packing Screw Set (PTFE)	R3	B 11257	■	■	OPT	OPT	■	OPT
		R5	B 17251	OPT	OPT	■	■	OPT	■
6	Main Lever	C	16121	■	■	■	■	■	x
7	Main Lever	C	16122	x	x	x	x	x	■
8	Needle Chucking Guide w/Aux Lever	C	11157	■	■	■	■	■	x

#	ITEM DESCRIPTION	PRICE CODE	ITEM #	HP-AR	HP-BR	HP-BCR	HP-CR	HP-CR3	HP-SAR
9	Needle Spring	A	11351	■	■	■	■	■	x
10	Spring Guide	A	17701	■	■	■	■	■	x
11	Needle	R5	B 17171	OPT	OPT	■	■	OPT	■
		R3	B 17173	■	■	OPT	OPT	■	OPT
12	Needle Chucking Nut	A	11202	■	■	■	■	■	■
13	Ergonomic Handle	D	17191	■	■	■	■	■	x
	Preset Handle	D	11552	OPT	OPT	OPT	OPT	OPT	x
	Preset Cutaway Handle	D	11556	OPT	OPT	OPT	OPT	OPT	x
14	Ergonomic Handle		17192	x	x	x	x	x	■
15	Fluid Adjustment Knob	D	17221	x	x	x	x	x	■
16	Lid	C	17181	x	x	x	■	■	x
17	Air Valve O-ring	B	15801	■	■	■	■	■	■
18	Valve Guide Body	B	16081	■	■	■	■	■	■
19	Air Valve	A	16091	■	■	■	■	■	■
20	Air Valve Spring	A	10351	■	■	■	■	■	■
21	Air Valve Guide Screw	B	17111	■	■	■	■	■	■
22	Spanner	A	17651	■	■	■	■	■	■

■ = yes X = no opt = optional  
\*Replacement parts not available.

Available from: *Dixie Art Airbrush* • [www.dixieart.com](http://www.dixieart.com) • 800.783-2612