

Revolution

EFFORTLESS COVERAGE™

IWATA REVOLUTION HP-TR1

Side Feed Dual Action Trigger Airbrush #R5000

Illustrated Parts Listing



PARTS PICTURED

Part No.	Description
i 7013	Needle Cap 0.3MM (R3)
i 7022	Head Cap 0.3MM (R3)
i 7042	Nozzle 0.3mm (R3)
i 7201	Gravity Feed Side Cup 1/3 oz
i 7181	Cup Lid 1/3 oz
i 0452	Blanking Cover

Part No.	Description
i 7152	Needle Chucking Guide
i 7703	Needle Spring
i 7702	Needle Spring Guide
i 1202	Needle Chucking Nut
i 7174	Needle 0.3mm (R3)
i 7192	Handle

PARTS NOT PICTURED

Part No.	Description
i 7252	Needle Packing Screw
i 7253	Needle Packing (O-ring)
i 7141	Trigger
i 7142	Trigger Screw
FA 450	Pistol Grip Filter
i 7131	Valve Piston (Trigger0)
i 7312	Main Body Ring Screw
i 7301	Slide Cam

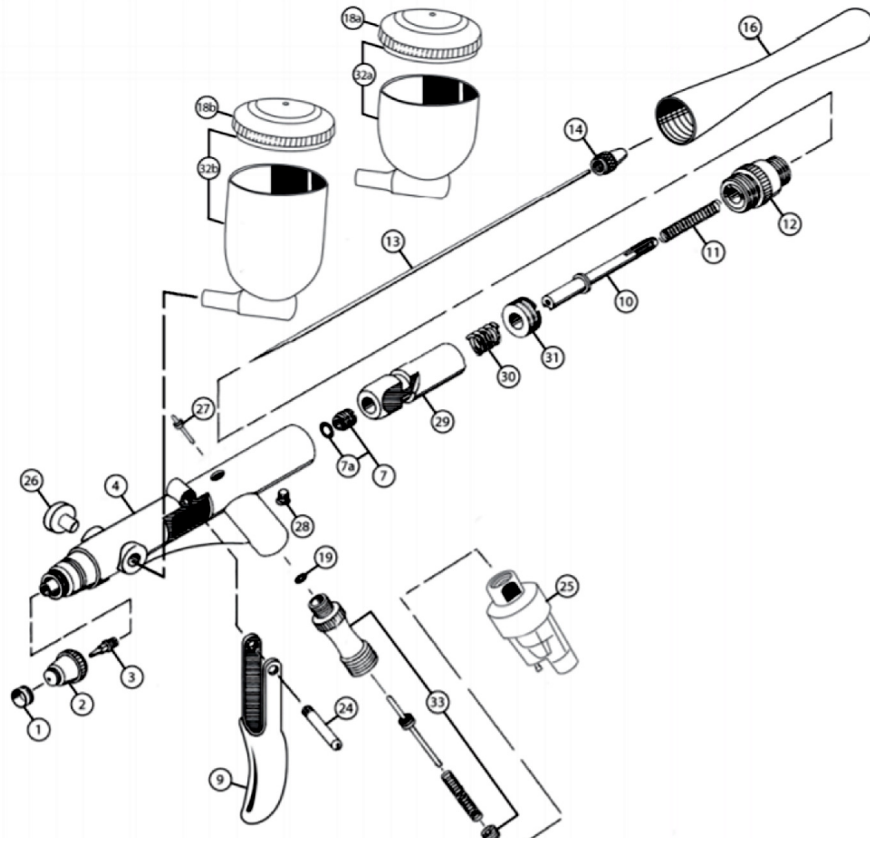
Part No.	Description
i 7302	Slide Cam Spring
i 7311	Main Body Ring
i 0706	Gravity Side Cup 1/2 oz (Opt)
i 7182	Cup Lid 1/2 oz (Opt)
i 1451	Air Valve O-ring
i 7121	Air Valve Set
i 1651	Spanner (Wrench)
(Opt)	Optional

See next Page for schematic

Available from: *Dixie Art Airbrush* • www.dixieart.com • 800.783-2612

**EFFORTLESS
COVERAGE**
手順で手軽

IWATA REVOLUTION TRIGGER AIRBRUSH SERIES
HP-TR1 / HP-TR2



— IWATA REVOLUTION HP-TR1 | HP-TR2 —

#	ITEM DESCRIPTION	PRICE CODE	ITEM #	HP-TR1	HP-TR2	ALSO FITS
1	Needle Cap	R3	A 17013	■	opt	
		R5	A 17011	opt	■	BCR, CR, SAR
2	Nozzle Cap	R3	C 17022	■	opt	AR, BR
		R5	C 17021	opt	■	BCR, CR, SAR
3	Nozzle	R3	C 17042	■	opt	AR, BR
		R5	C 17041	opt	■	BCR, CR, SAR
4	Body*		N/A	■	x	
			N/A	x	■	
7	Needle Packing Screw	C	17252	■	■	
7a	Needle Packing (PTFE)	A	17253	■	■	
9	Trigger	I	17141	■	■	
10	Needle Chucking Guide	F	17152	■	■	
11	Needle Spring	A	17703	■	■	
12	Spring Guide	H	17702	■	■	
13	Needle	R3	C 17174	■	opt	
		R5	C 17175	opt	■	
14	Needle Chucking Nut	A	11202	■	■	All
16	Handle	D	17192	■	■	SAR

#	ITEM DESCRIPTION	PRICE CODE	ITEM #	HP-TR1	HP-TR2	ALSO FITS
18a	Cup Lid	C	17181	■	opt	CR, CS, C, C+, CH, CM-C
18b	Cup Lid	F	17182	opt	■	TH
19	Air Valve O-ring	A	11451	■	■	HP, HP+, HI-LINE
24	Trigger Screw	C	17142	■	■	
25	Pistol-Grip Filter	F	FA450	■	■	All
26	Blanking Cover	A	10452	■	■	SBS, SB, SB+, CM-SB
27	Valve Piston	C	17131	■	■	
28	Main Body Ring Screw	A	17312	■	■	
29	Slide Cam	I	17301	■	■	
30	Slide Cam Spring	B	17302	■	■	
31	Main Body Ring	D	17311	■	■	
32a	Gravity Side Cup 1/3 oz	G	17201	■	opt	SBS, SB, SB+, CM-SB
32b	Gravity Side Cup 1/2 oz	G	10706	opt	■	SBS, SB, SB+, CM-SB
33	Air Valve Set 2pcs. Spanner	G	17121	■	■	
		A	11651	■	■	

■ = yes X = no opt = optional
*Replacement parts not available.

Available from: *Dixie Art Airbrush* • www.dixieart.com • 800.783-2612