



Neo for Iwata TRN2 Gravity Feed Trigger Airbrush #N5000

Illustrated Parts Listing



PARTS PICTURED

Part No.	Description
N 1102	Needle Cap
N 1404	Nozzle Cap 0.5MM (N5)
N 0804	Nozzle 0.5mm (N5)
N 0706	Cup Side Large 1/2 oz
N 0705	Cup Side Small 1/4 oz
N 0952	Cup Side Lid Large 1/2 oz
N 0953	Cup Side Lid Small 1/4 oz

Part No.	Description
N 1152	Needle Guide W/aux. Lever
N 1352	Needle Spring
N 1702	Needle Spring Guide
N 1202	Needle Chucking Nut
N 0754	Needle 0.5mm (N5)
N 0902	Handle (Pre-Set)
N 0401	Bottle Adapter for N5000
BTL	Bottle Assemblies

PARTS NOT PICTURED

Part No.	Description
N 1504	Nozzle Cap O-ring
N 1354	Head Base TRN2
N 1505	Head Base Packing (O-ring)
N 1002	Trigger with Trigger Screw
N 1252	Needle Packing Screw
N 1507	Needle Packing O-ring
N 1301	Side Cam
N 1302	Side Cam Spring

Part No.	Description
N 1311	Main Body Ring
N 1312	Main Body Ring Screw
N 0101	Air Piston Set
N 0202	Valve Body Set
N 1601	Grip Mount Extension
N 1602	Grip (handle)
N 1651	Spanner (Wrench)

See next Page for schematic

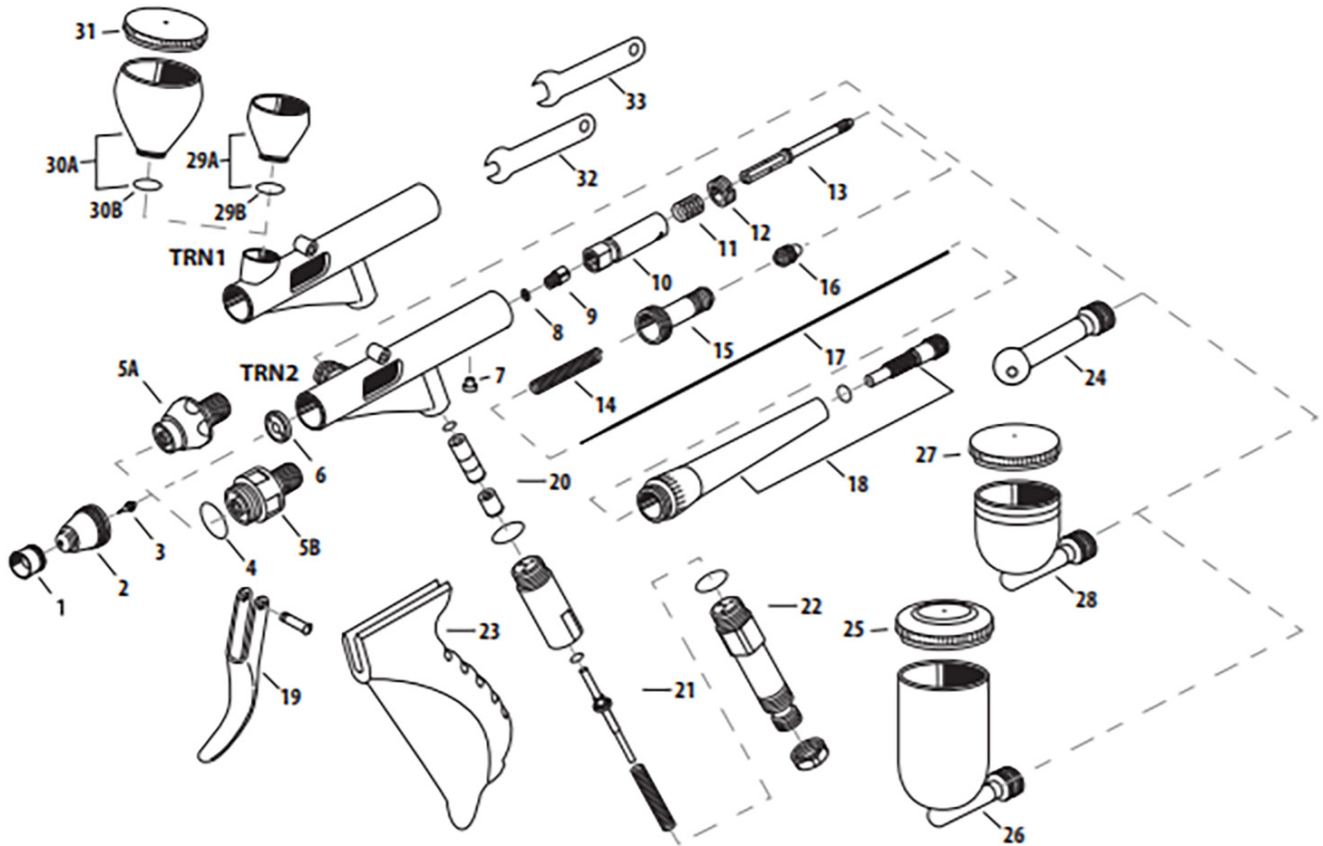
Available from:

Dixie Art Airbrush

www.dixieart.com

800.783-2612

NEO FOR IWATA — TRN1, TRN2



#	ITEM DESCRIPTION	PRICE CODE	ITEM #	TRN2 N 5000	TRN1 N 5500	ALSO FITS
1	Needle Cap	A	N 110 2	■	■	
2	Nozzle Cap N3	A	N 140 3	opt	■	
	N5	A	N 140 4	■	opt	
3	Nozzle N3	C	N 080 3	opt	■	
	N5	C	N 080 4	■	opt	
4	Nozzle Cap O-ring	A	N 150 4	■	x	
5A	Head Base	A	N 135 3	x	■	
5B	Head Base	A	N 135 4	■	x	
6	Head Base Packing (PTFE)	A	N 150 5	■	■	
7	Main Body Ring Screw	A	N 131 2	■	■	
8	Needle Packing (PTFE)	A	N 150 7	■	■	
9	Needle Packing Screw	A	N 125 2	■	■	
10	Slide Cam	A	N 130 1	■	■	
11	Spring Side Cam	A	N 130 2	■	■	
12	Main Body Ring	A	N 131 1	■	■	
13	Needle Chucking Guide	A	N 115 2	■	■	
14	Needle Spring	A	N 135 2	■	■	
15	Spring Guide	A	N 170 2	■	■	
16	Needle Chucking Nut	A	N 120 2	■	■	

#	ITEM DESCRIPTION	PRICE CODE	ITEM #	TRN2 N 5000	TRN1 N 5500	ALSO FITS
17	Needle N3	A	N 075 3	opt	■	
	N5	A	N 075 4	■	opt	
18	Handle Cap Set	D	N 090 2	■	■	
19	Trigger With Trigger Screw	A	N 100 2	■	■	
20	Air Piston Set	A	N 010 1	■	■	
21	Air Valve Set	C	N 020 2	■	■	
22	Grip Mount/Extension	D	N 160 1	■	■	
23	Grip	B	N 160 2	■	■	
24	Bottle Adapter	C	N 040 1	■	x	
25	Side Cup Lid 0.50 oz / 1.50 ml	A	N 095 2	■	x	
26	Side Cup 0.50 oz / 1.50 ml	A	N 070 6	■	x	
27	Side Cup Lid 0.24 oz / 7 ml	A	N 095 3	■	x	
28	Side Cup 0.24 oz / 7 ml	D	N 070 5	■	x	
29A	Fluid Gravity Cup w/O-ring 0.05 oz / 1.50 ml	C	N 070 1	x	■	NEO CN
29B	O-ring For Fluid Gravity Cup 0.05 oz / 1.50 ml	A	N 071 2	x	■	NEO CN
30A	Fluid Gravity Cup w/O-ring 0.24 oz / 7 ml	D	N 070 2	x	■	NEO CN
30B	O-ring For Fluid Gravity Cup 0.24 oz / 7 ml	A	N 071 3	x	■	NEO CN
31	Fluid Gravity Cup Lid 0.24 oz / 7 ml	A	N 095 4	x	■	NEO CN
32	Spanner	A	N 165 1	x	■	NEO CN/ NEO BCN
33	Spanner	A	N 165 2	■	x	

■ = yes X = no opt = optional

Parts available from: Dixie Art Airbrush • www.dixieart.com • 800/783-2612