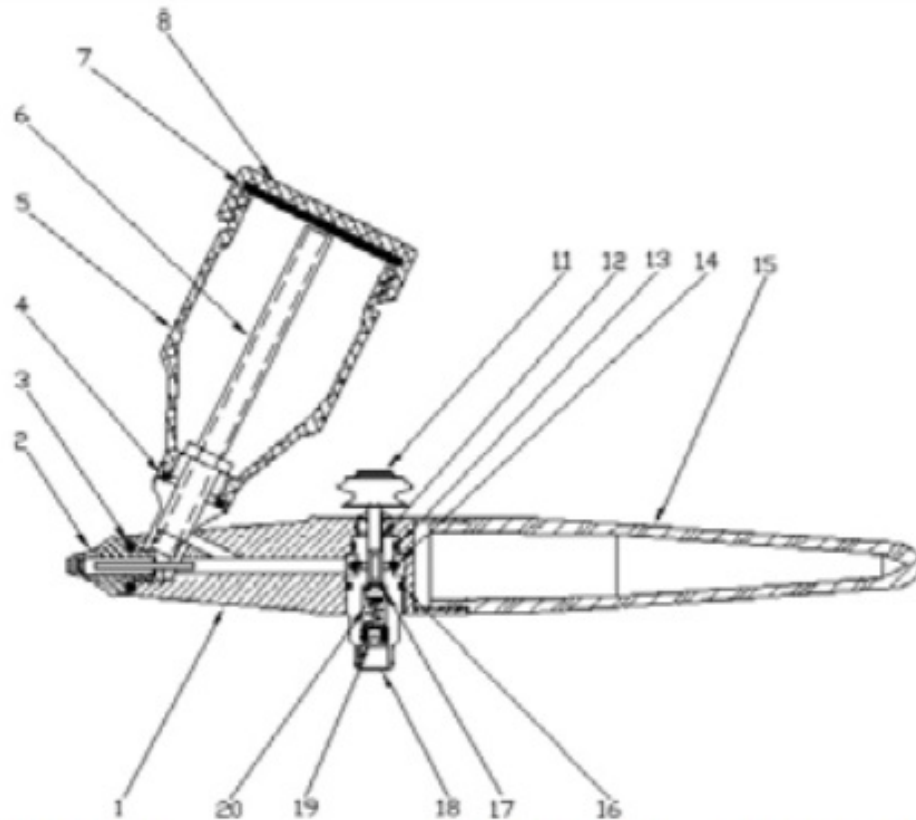


AEC



NO.	PART NO.	DESCRIPTION	NO.	PART NO.	DESCRIPTION
1.	AE-66	Shell Assembly	12.	AE-64	Plunger
2.	AEC-34	Tip with Carbide Insert	13.	TAL-22	"O" Ring
3.	AE-43	"O" Ring	14.	AE-68	"O" Ring
4.	AE-6	"O" Ring	15.	H-143	Handle
5.	AE-38	Cup	16.	AE-69	"O" Ring
6.	AE-20	Powder Tube Assembly	17.	A-53	"O" Ring (sold per dozen)
7.	AE-31	Gasket	18.	AE-63	Valve Casing
8.	AE-27	Cover	19.	A-23R	Air Valve Nut
11.	H-155	Button	20.	A-22	Valve Spring

AIR ERASER ABRASIVE COMPOUNDS:

- **AEX-6** 6 oz. (240 Grit) Aluminum Oxide
- **AEX-5-240** 5 lbs. (240 Grit) Aluminum Oxide
- **AEX-5-400** 5 lbs. (400 Grit) Aluminum Oxide
- **AEX-25** 25 lbs. (240 Grit) Aluminum Oxide

EXTRA OPTIONS:

1. **A-34** Airbrush Hanger
2. **MT** MT Moisture Trap
3. **A-1/8-8** 8' Braided Air Hose w/ Cplgs.
4. **2DS** Softseal Disposable Respirator

CAUTION: It is recommended that a **2DS** Respirator be worn or Ventilation be used to remove excess abrasive.