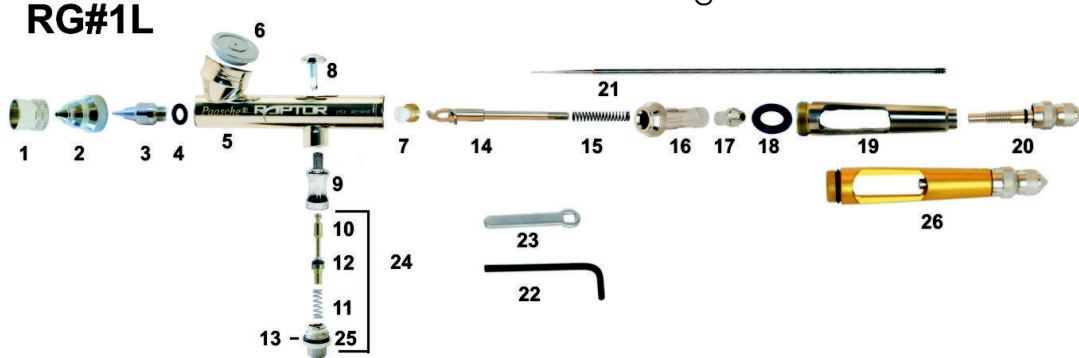


Paasche Raptor RG#1L Airbrush Gravity Feed Dual Action

Illustrated Parts Listing

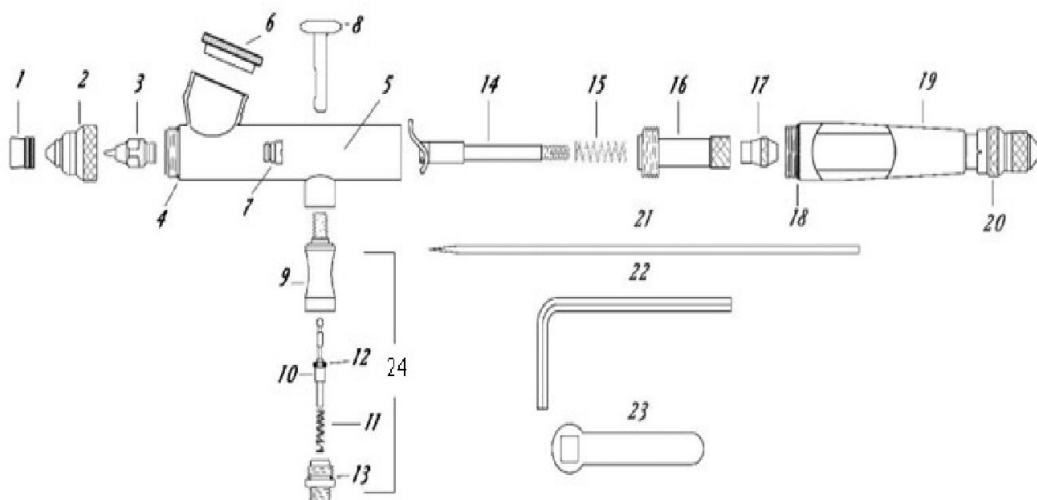


Item #	Part No.	Description	Item #	Part No.	Description
1	XI-41	Needle Protecting Cap	24	TN-0	Needle #0 (0.20 mm)
2	TA-1	Air Cap 2 (0.25mm)	24	TN-2	Needle #2 (0.38 mm)
3	TT-1	Tip #1 (0.25mm)	24	TN-3	Needle #3 (0.66 mm)
4	MIL-12	O-ring	24	TN-4	Needle #4 (1.00mm)
5	RG-30	RG Shell Assemble N/A	N/S	T-227-0	Tip, Head and Needle #0 (0.20 mm)
6	RG-8	Cup Cover	N/S	T-227-2	Tip, Head and Needle #2 (0.38 mm)
7	TAL-8	Packing Assembly PTFE	N/S	T-227-3	Tip, Head and Needle #3 (0.66 mm)
8	TAL-37	Trigger	N/S	T-227-4	Tip, Head and Needle #4 (1.00 mm)
9	TAL-14	Valve Casing	To Change RG#1 to RG#0 change the following Parts for Optimum Performance:		
10	TAL-36	Valve Plunger w/O-ring	2	TA-1	Air Cap #1 (0.25 mm)
11	A-22	Spring	3	TT-0	Tip #0 (0.2 mm)
12	TAL-26	O-ring	24	TN-0	Needle #0 (0.2 mm) OR
13	TAL-22	O-ring (Pk of 6)	N/S	T-227-0	Air Cap, Tip and Needle #0 (0.20 mm)
14	TAL-18	Rocker Assembly	To Change RG#1 to RG#2 change the following Parts for Optimum Performance:		
15	MIL-11	Needle Spring	2	TA-2	Air Cap #1 (0.38 mm)
16	TAL-17	Spring Housing	3	TT-2	Tip #0 (0.38 mm)
17	TAL-19	Needle Lock Nut	24	TN-2	Needle #0 (38mm) OR
18	MIL-12	O-Ring	N/S	T-227-2	Air Cap, Tip and Needle #1 (0.38 mm)
19	RG-20	Handle	To Change RG#1 to RG#3 change the following Parts for Optimum Performance:		
20	TAL-33	Needle Stop	2	TA-3	Air Cap #3 (0.66 mm)
21	TN-1	Needle #1 (0.25mm)	3	TT-3	Tip #3 (0.66 mm)
24	TAL-32	Air Valve Assemble	24	TN-3	Needle #3 (0.66 mm) OR
25	TAL-15	Valve Adapter w/O-ring	N/S	T-227-3	Air Cap, Tip and Needle #3 (0.66 mm)
Optional					
22	TAL-35	Allen Wrench	To Change RG#1 to RG#4 change the following Parts for Optimum Performance:		
23	TAL-28	Wrench	2	TA-4	Air Cap #4 (1.00 mm)
26	TAL-34	Handle w/Needle Stop	3	TT-4	Tip #4 (1.00 mm)
N/S	T-227-1	Tip, Head and Needle #2 (0.38 mm)	24	TN#4	Needle #4 (1.00 mm) OR
Also Available					
2A	TAF-3	Fan Cap for (0.66 mm) use with TT3, TN3	N/S	T-227-4	Air Cap, Tip and Needle #4 (1.00 mm)
2A	TAF-4	Fan Cap for (1.00mm) use with TT4, TN4			
2	TA-2	Air Cap #2 (0.38mm)			
2	TA-3	Air Cap #3 (0.66mm)			
2	TA-4	Air Cap #4 (1.00mm)			
3	TT-0	Tip #0 (0.20 mm)			
3	TT-2	Tip #2 (0.38 mm)			
3	TT-3	Tip #3 (0.66 mm)			
3	TT-4	Tip #4 (1.00 mm)			

See next Page for schematic

Available from: *Dixie Airbrush* • www.dixieart.com • 504.236.2163

RG#1L



NO.	PART	DESCRIPTION
1.	XI-41	Needle Protection Cap
2.	TA-1	Aircap (.25mm)
3.	TT-1	Tip (.25mm)
4.	MIL-12	"O" Ring
5.	RG-30	Shell Assembly
6.	RG-8	Cover
7.	TAL-8	Packing Assembly PTFE
8.	TAL-37	Trigger
9.	TAL-14	Valve Casing
10.	TAL-36	Plunger
11.	A-22	Spring
12.	TAL-26	"O" Ring
13.	TAL-22	"O" Ring
14.	TAL-18	Rocker Assembly
15.	MIL-11	Needle Spring
16.	TAL-17	Spring Housing
17.	TAL-19	Needle Lock Nut
18.	MIL-12	"O" Ring
19.	RG-20	Handle
20.	TAL-33	Needle Stop
21.	TN-1	Needle (.25mm)
22.	TAL-35	Allen Wrench
23.	TAL-28	Wrench
24.	TAL-32	Air Valve Assembly

Optional Parts:

Head components:

TAF-3	Fan Aircap for .66mm (use with TT-3 & TN-3)
TT-2, 3 or 4	Tip (.38, .66 or 1mm)
TN-2, 3 or 4	Needle (.38, .66 or 1mm)
TA-2, 3 or 4	Aircap (.38, .66 or 1mm)

Complete Head

T-227-1	Size 1 Head (.25mm)
T-227-2	Size 2 Head (.38mm)
T-227-3	Size 3 Head (.66mm)
T-227-4	Size 4 Head (1mm)

Parts:

3A-4	Hose "O" Ring
TAL-34	Handle with Needle Stop

Air Hoses with INSTALLED COUPLINGS

A-1/8-size	Braided Airhose (6', 8', 10', 15', 20', 25' & 50')
HPB-1/8-10	10' Black Plastic Airhose

WARNING: Spray materials may be harmful if inhaled or allowed to come into contact with the skin or eyes. Consult the product label and material safety data sheet supplied for the spray material. Follow all safety precautions. **CAUTION:** Well Ventilated Area Required to remove fumes, dust or overspray. **Maximum Air Pressure 75 P.S.I.**

Paasche Airbrush Co. 9511 58th Place Kenosha, WI. 53144 Phone:773/867-9191 Email:info@paascheairbrush.com