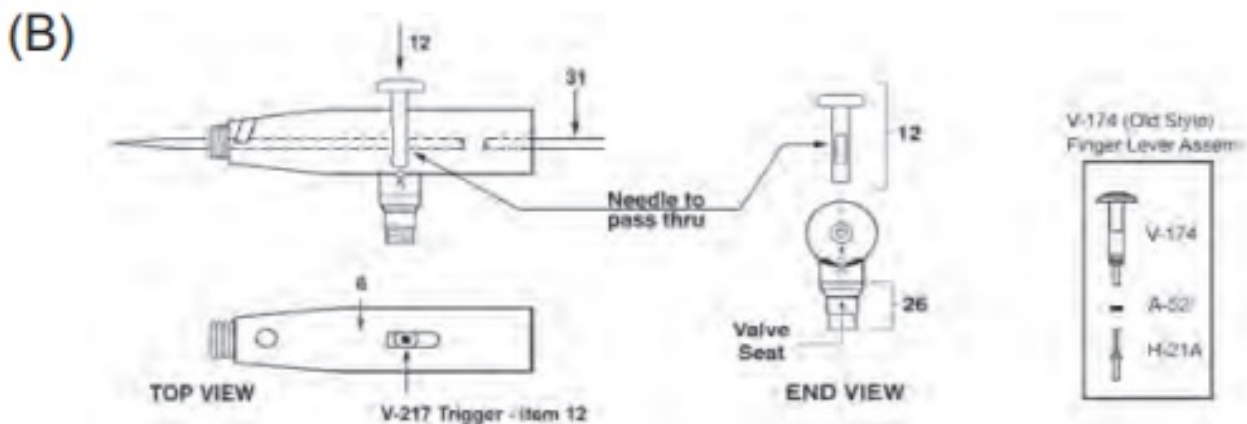
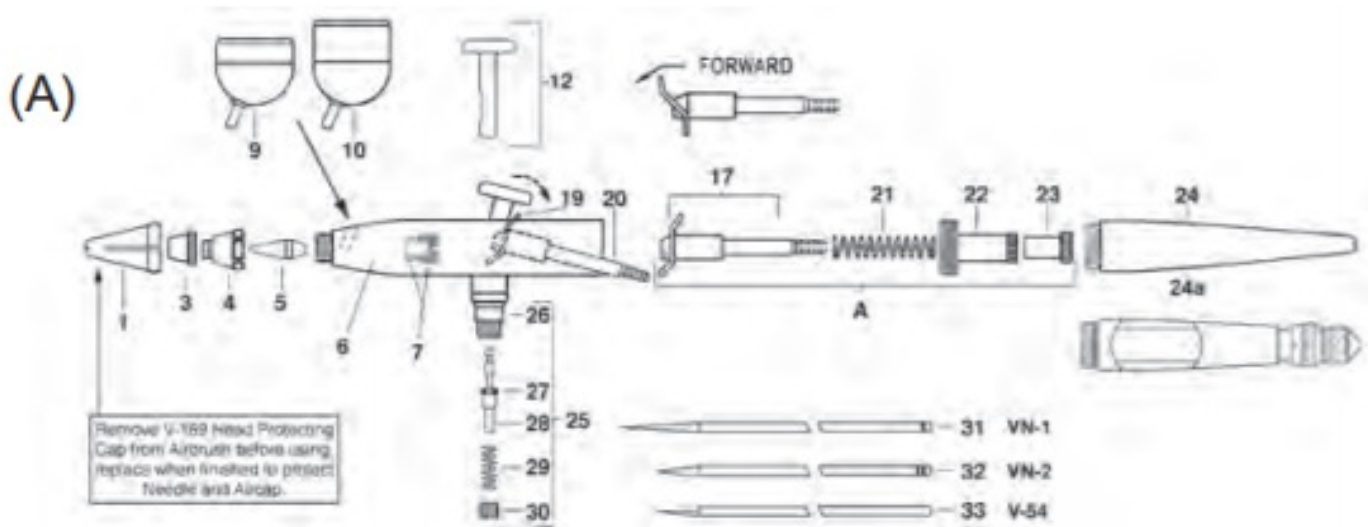


VSR90 AIRBRUSH PARTS



NO.	PART	DESCRIPTION	NO.	PART	DESCRIPTION
1.	V-189	Head Protecting Cap	24.	AFV-143	Chrome Plated Metal Handle
4.	VB	Airbrush Body	24a.	TAL-34	Handle & Stop Assembly (Optional) - allows for preset paint flow
	VM-1 or 2	Multiplehead (Select Size)			Air Valve Assembly
3.	VA-1 or 2	Aircap (Select Size)	25.	V-221	Air Valve Assembly
31 or 32.	VN-1 or 2	Needle (Select Size)	26.	V-20	Valve Casing
5.	VT-1 or 2	Tip (Select Size)	27.	A-53	Valve 'O' Ring (Pack of 6)
6.	V-210	Shell Assembly with V-20	28.	V-214	Valve Plunger (with A-53)
7.	V-218	PTFE Packing & Packing Nut (sold as set)	29.	A-22	Valve Spring
9.	VSR-1	Color Cup 1/8 oz. (3.5cc)	30.	A-23R	Air Valve Nut
10.	VSR-2	Color Cup 3/16 oz. (5.25cc)	31.	VN-1	Needle (Select Size)
12.	V-217	Trigger	32.	VN-2	Needle (Select Size)
A.	V-186	Needle Valve Assembly L/Needle	33.	V-54	Reamer (Optional)
17.	V-191A	Rocker Assembly			
21.	V-140	Spring			
22.	V-136A	Needle Adjusting Sleeve			
23.	V-141	Locknut			