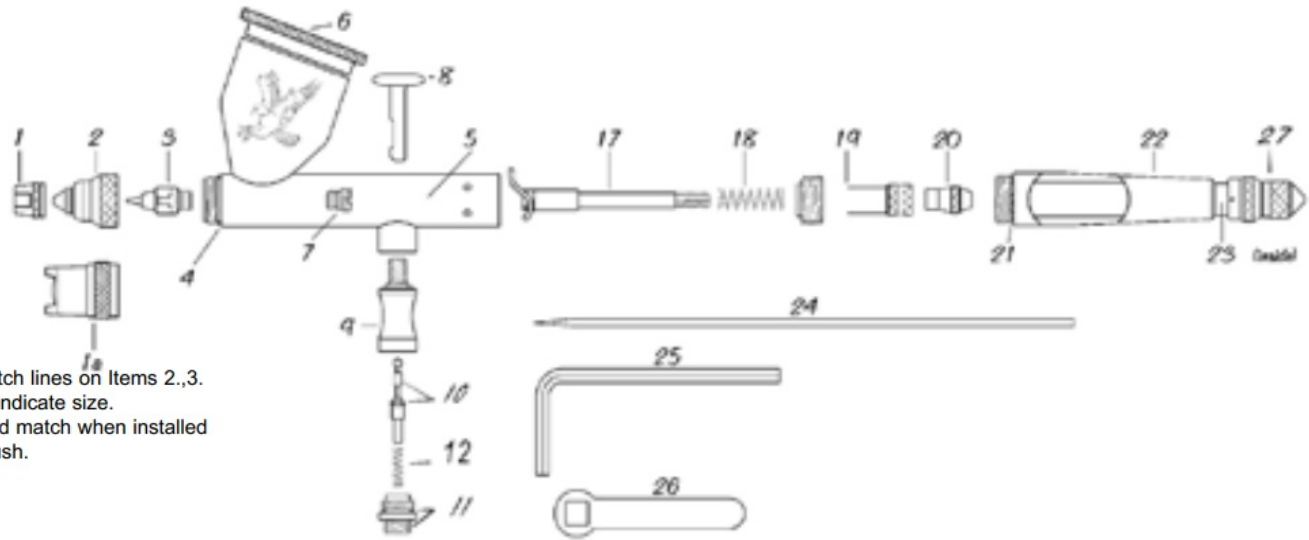


TALON TG



*Note: Etch lines on Items 2.,3. and 24. indicate size.
All should match when installed on airbrush.

NO.	PART	DESCRIPTION	NO.	PART	DESCRIPTION
1.	TAL-23	Crown Cap	11.	TAL-15	Valve Adapter (Includes O-ring)
1a.	TAF-3	Fan Aircap for .66mm head -	12.	A-22	Spring
*2.	TA-1,TA-2,TA-3	Aircap (.25mm, .38mm, .66mm)	17.	TAL-18	Rocker Assembly
*3.	TT-1,TT-2,TT-3	Tip (.25mm, .38mm, .66mm)	18.	MIL-11	Needle Spring
4.	MIL-12	"O" Ring for TG-30 Shell	19.	TAL-17	Spring Housing
5.	TG-30	Shell Assembly	20.	TAL-19	Needle Lock Nut
6.	TG-4	Cup Cover	21.	MIL-12	"O" Ring for TG-34 Handle
7.	TAL-8	Packing Assembly PTFE	22.	TAL-34	Handle & Stop Assembly
8.	TAL-37	Trigger	23.	3A-4	"O" Ring
9.	TAL-14	Valve Casing	*24.	TN-1,TN-2,TN-3	Needle (.25mm, .38mm, .66mm)
10.	TAL-36	Valve Plunger (Includes O-ring)	25.	TAL-35	Allen Wrench
			26.	TAL-28	Wrench