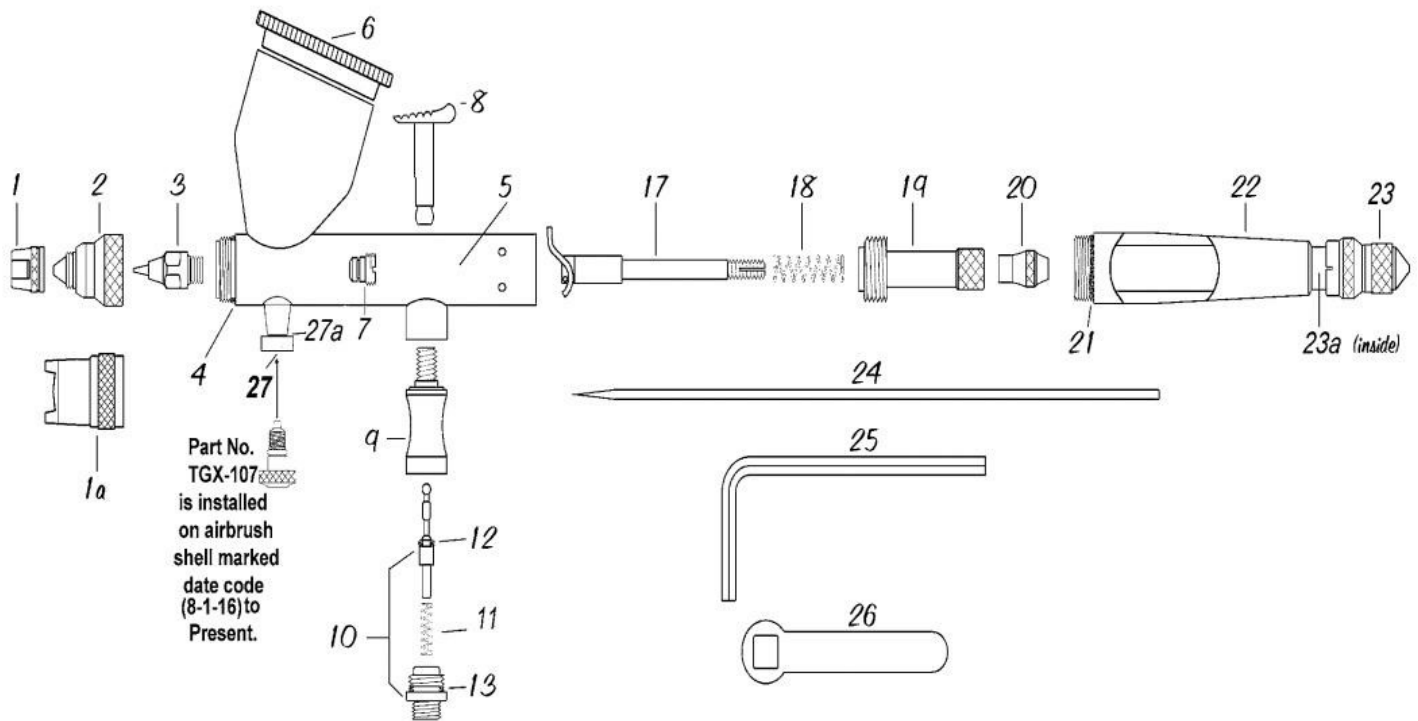


TALON TGX



NO.	PART	DESCRIPTION
1.	TAL-23	Crown Cap
1a.	TAF-3	Fan Aircap for .66mm head (uses TT-3 and TN-3)
2.	TA-1	.2 & .25 Aircap
3.	TT-0	.2mm Tip
4.	MIL-12	"O" Ring for TGX-30 Shell
5.	TGX-30	Shell Assembly
6.	TGX-104	Cup Cover
7.	TAL-8	Packing Assembly PTFE
8.	TGX-106	Trigger
9.	TAL-14	Valve Casing (Not Black Chrome)
10.	TAL-32	Air Valve Assembly
11.	A-22	Spring
12.	TAL-26	O-Ring
13.	TAL-22	O-Ring
17.	TAL-18	Rocker Assembly
18.	MIL-11	Needle Spring
19.	TAL-17	Spring Housing
20.	TAL-19	Needle Lock Nut
21.	MIL-12	"O" Ring for Handle

22.	TGX-105	Handle
23.	TAL-33	Handle Stop
24.	TN-0	.2mm Needle
25.	TAL-35	Allen Wrench
26.	TAL-28	Wrench
27.	TGX-102	Air Valve Stem (Date code on shell 7/31/16)
27.	TGX-107	Air Valve Stem (Date code on shell 8/1/16)
27a	3A-5 TGX-102	O-ring (Pack of 6)
27a	3A-4 TGX-107(New)	O-ring (Pack of 6)

The TA-1 Aircap is used on both the size 0 & 1 heads
The TGX can also use the size 1, 2 & 3 heads by changing the tip, needle & aircap.

Optional Items:

TAF-3	Fan Aircap for .66mm Head- (uses TT-3 & TN-3)(Optional)
TT-1 & TT-2	Tip (.25mm & .38mm)
TN-1 & TN-2	Needle (.25mm & .38mm)
TA-1 & TA-2	Aircap (.25mm & .38mm)
T-227-1, 2 or 3	Complete Head Assembly (.25mm, .38mm & .66mm)