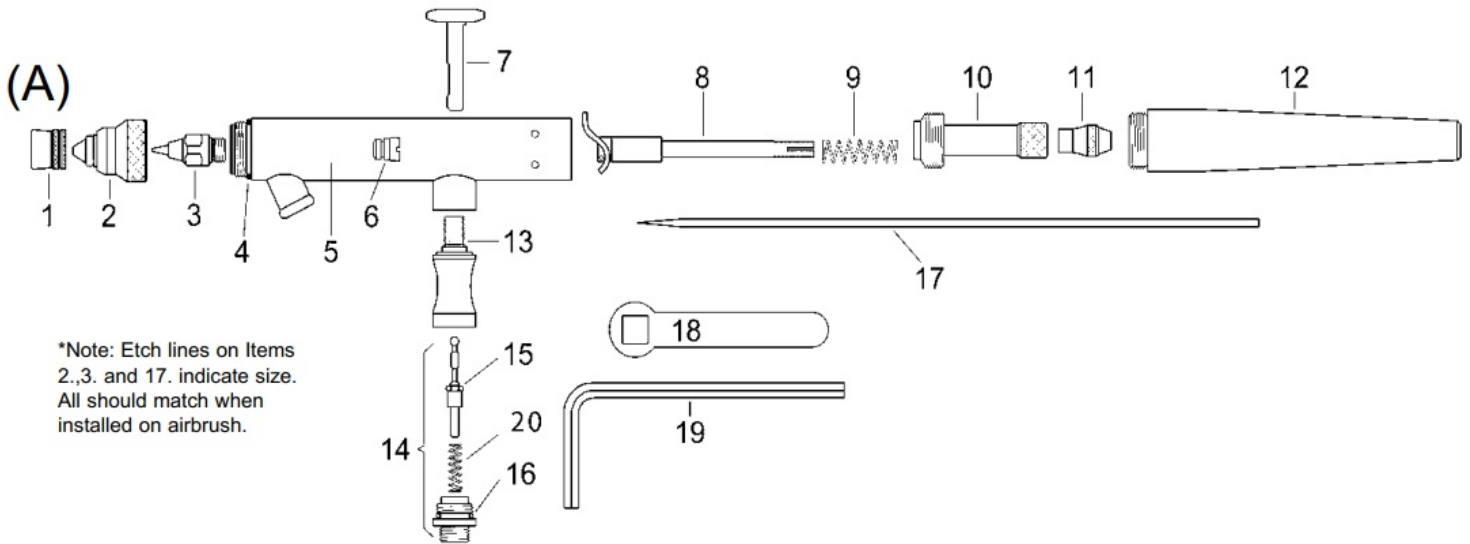


# TALON TS



NO.	PART	DESCRIPTION
1.	XI-41	Needle Protection Cap
*2.	TA-3	Aircap (.66mm)
*3.	TT-3	Tip (.66mm)
4.	MIL-12	"O" Ring
5.	TS-30	Shell Assembly
6.	TAL-8	Packing Assembly PTFE
7.	TAL-37	Trigger
8.	TAL-18	Rocker Assembly
9.	MIL-11	Needle Spring
10.	TAL-17	Spring Housing
11.	TAL-19	Needle Lock Nut
12.	TS-33	Handle
13.	TAL-14	Valve Casing
14.	TAL-32	Air Valve Assembly

15.	TAL-26	"O" Ring
16.	TAL-22	"O" Ring
*17.	TN-3	Needle (.66mm)
18.	TAL-28	Wrench
19.	TAL-35	Allen Wrench
20.	A-22	Spring

### Optional Items:

TAF-3	Fan Aircap for .66mm Head- (uses TT-3 & TN-3)(Optional)
TT-1 & TT-2	Tip (.25mm & .38mm)
TN-1 & TN-2	Needle (.25mm & .38mm)
TA-1 & TA-2	Aircap (.25mm & .38mm)
T-227-1, 2 or 3	Complete Head Assembly (.25mm, .38mm & .66mm)