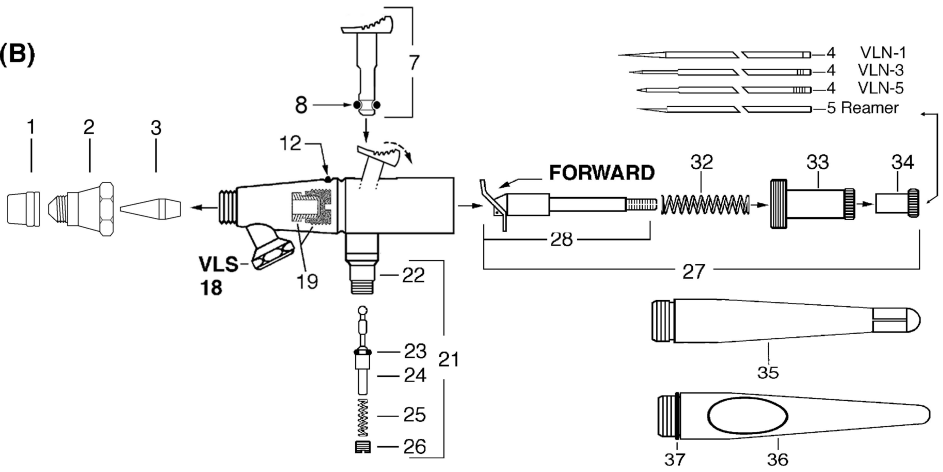


(B)



NO. PART

DESCRIPTION

- 1. XI-41 Needle Protecting Cap
- 2. VLH-1, 3 or 5 Head (Specify Size)
- 3. VLT-1, 3 or 5 Tip (Specify Size)
- 4. VLN-1, 3 or 5 Needle (Specify Size)
- 7. VL-231 Trigger
- 8. TAL-26 O-ring
- 12. VL-175 Line Adjustment Assembly
- 18. VLS-163 Shell Assembly W/VL-20
- 19. MU-612 PTFE Packing & Packing Nut
- 21. VL-215 Air Valve Assembly
- 22. VL-20 Valve Casing
- 24. VL-214 Valve Plunger (with A-53)
- 25. A-22 Valve Spring
- 26. A-23R Air Valve Nut
- 27. VL-186 Needle Valve Assem. L/Needle
- 28. VL-191A Rocker Assembly
- 32. VL-140 Spring
- 33. VL-136A Needle Adjusting Sleeve
- 34. VL-141 Locknut
- 35. VL-134N Handle

Optional Items:

- 4. VLN-1POL Hand Polished Needle
- 5. VL-54 Reamer
- 23. A-53 Valve 'O' Ring (pack of 6)
- 36. HVL-202 Metal Handle with Cut-Out
- 37. VL-224 O-ring
- VL-127 Pickup tube Paint Strainer

VL-227-1, 3 or 5 Multiplehead (Specify Size)

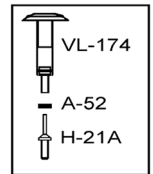
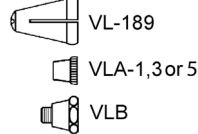
- VLH-1, 3 or 5 Head (Specify Size)
- VLT-1, 3 or 5 Tip (Specify Size)
- VLN-1, 3 or 5 Needle (Specify Size)

AIRHOSES W/FACTORY INSTALLED COUPLINGS

- A-1/8-size Braided Airhose W/Couplings (6', 8', 10', 15', 20', 25' & 50')
- HP-1/8-size PVC-Red Plastic Airhose W/Couplings (6', 8' & 10')

VL-229 & VL-214
Replace Old Style
Parts: VL-174,
A-52 and H-21A

Old Style Head
Parts still available



VL-1/4-OZ
(1/4oz Metal)



VLS-1-OZ
(1oz Glass)



VLS-3-OZ
(3oz Glass)



VLPS-3-OZ
(3oz Plastic)



VLS-2-OZ
(2oz Metal)



VLPS-8-OZ
(8oz Plastic)